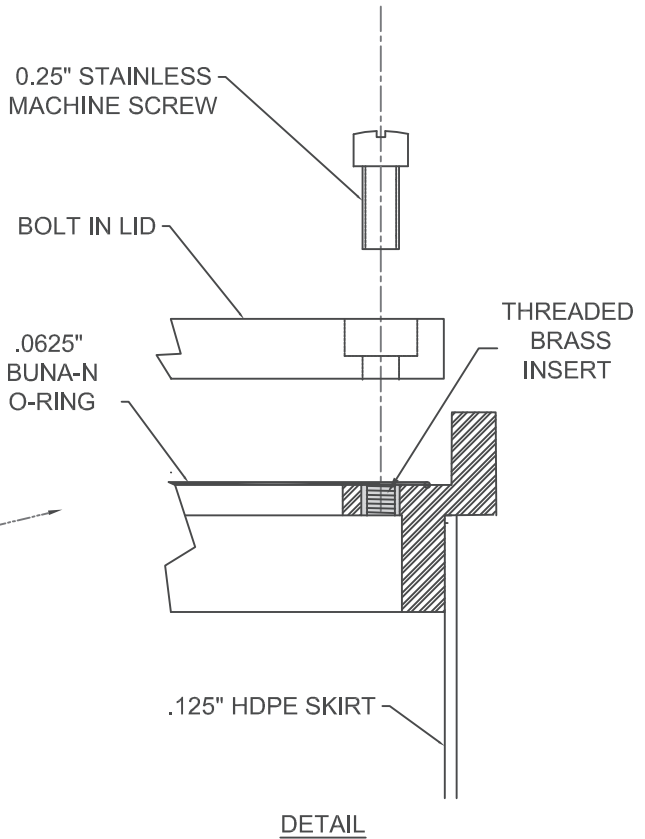
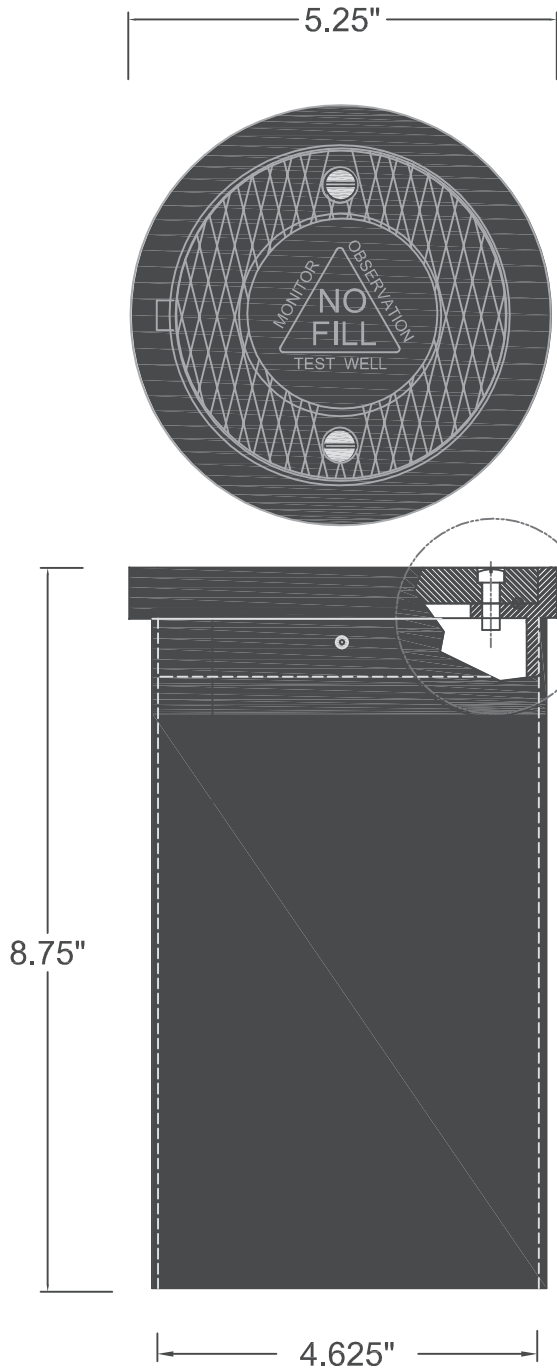


# 4"x 9" Fiberglass Reinforced Nylon (FRN) Manhole / Curb Box MM4x9P



**SAMPLE SPECIFICATION**

4" x 9" FRN Polymer Curb Box  
 .125" Wall HDPE Skirt  
 SS Screws w/ Brass Anchor Inserts  
 H-20 Load Rated  
 Weight 18.65 oz