



ECT MANUFACTURING
1-888-240-4328
www.ectmfg.com

MONITORING MANHOLES



One Piece Buffalo Box



Ductile Iron Lid with Galvanized Steel Skirt



Plastic Lid with Plastic Skirt

TOP WELL PROTECTION



Protective Casing Stick-Ups



Bollards



WELL PROTECTION

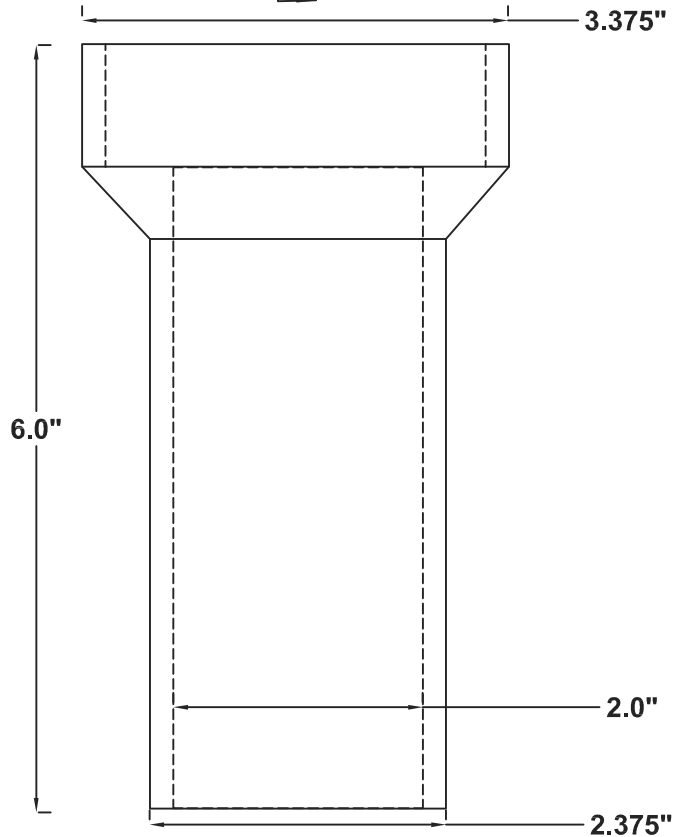
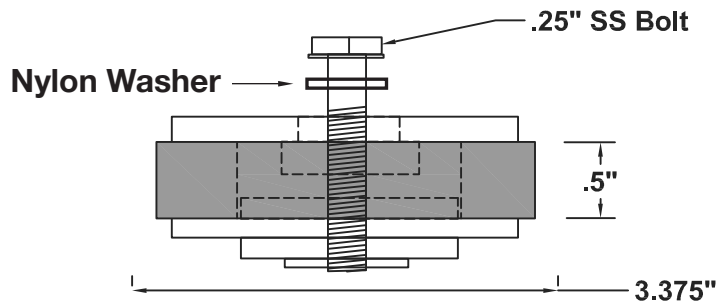
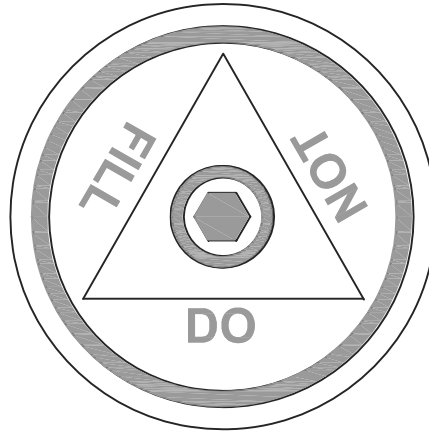
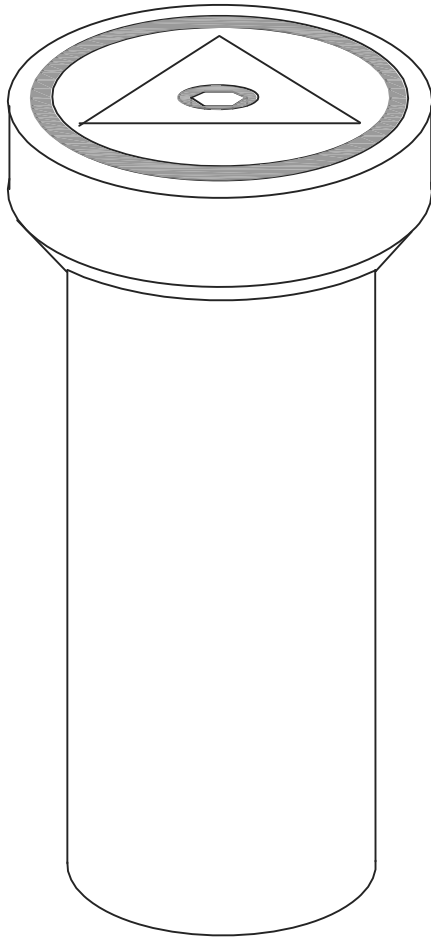
PART #	PAGE #
2" BBAL	2" Aluminum Curb Box 3
3" BBAL	3" Aluminum Curb Box 4
4" BBAL	4" Aluminum Curb Box 5
6" BBAL	6" Aluminum Curb Box 6
MM 5x12AR	5" Aircraft Rated Curb Box..... 7
MM 8x12AR	8" Aircraft Rated Curb Box..... 8
MM3x7P	3" FRN Curb Box..... 9
MM4x9P	4" FRN Curb Box..... 10
MM5x7M.....	5" Ductile Iron Manhole..... 11
MM5x7P	5" Ductile Iron Manhole..... 12
MM6x9M2.....	6" Ductile Iron Manhole 13
MM6x9P2	6" Ductile Iron Manhole..... 14
MM8x8MLI	8" Ductile Iron Manhole..... 15
MM8x8M2w	8" Ductile Iron White Manhole..... 16
MM8x8M2	8" Ductile Iron Manhole..... 17
MM8x8P2	8" Ductile Iron Manhole..... 18
MM8x8M3	8" Ductile Iron Manhole..... 19
MM8x8P3	8" Ductile Iron Manhole..... 20
MM8x12M2.....	8" Ductile Iron Manhole..... 21
MM8x12P2	8" Ductile Iron Manhole..... 22
MM8x12M3.....	8" Ductile Iron Manhole..... 23
MM8x12P3	8" Ductile Iron Manhole..... 24
MM8x12XD.....	8" Extreme Duty Manhole 25
519-0100 AM	9" Model 519 Manhole..... 26
MM10x12XD.....	10" Ductile Iron Manhole..... 27
519-0200 AM	12" Model 519 Manhole..... 28
MM12x12M2.....	12" Ductile Iron Manhole..... 29
MM12x12XD.....	12" Extreme Duty Manhole 30
MM18x12M3.....	18" Ductile Iron Manhole 31
MM18x18M3.....	18" Ductile Iron Manhole..... 32
AO717-712VW	12"x12"x12" Locking Vault 33
AO717-718VW	18"x18"x18" Locking Vault 34
AO717-724VW	24"x24"x24" Locking Vault 35

Protective Casings & Steel Bollards

PCAS4	36
PCAS6	37
PCAS8	38
PCA4S	39
PCA4SQ	40
PCA6SQ	41
PCA8SQ	42
3Y-60 / B3Y-72 / B3Y-72-40	43
B4-60 / B4Y-60 / B4Y-72 / B4Y-72-40	44
B6Y-72-40.....	45

2"x 6" Cast Aluminum Curb Box

2" BBAL

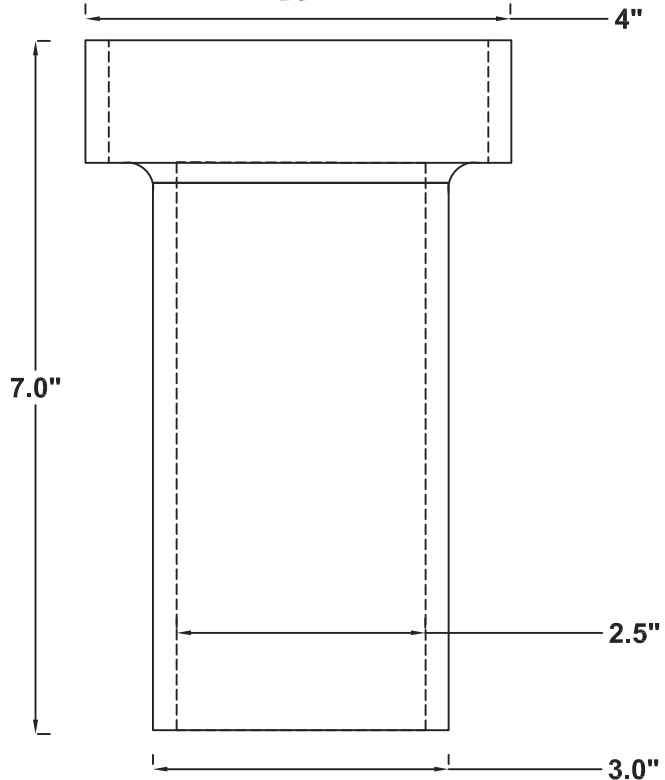
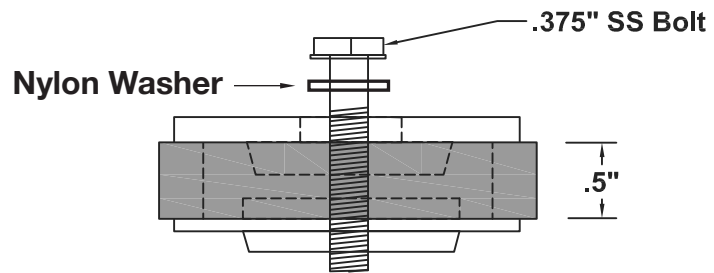
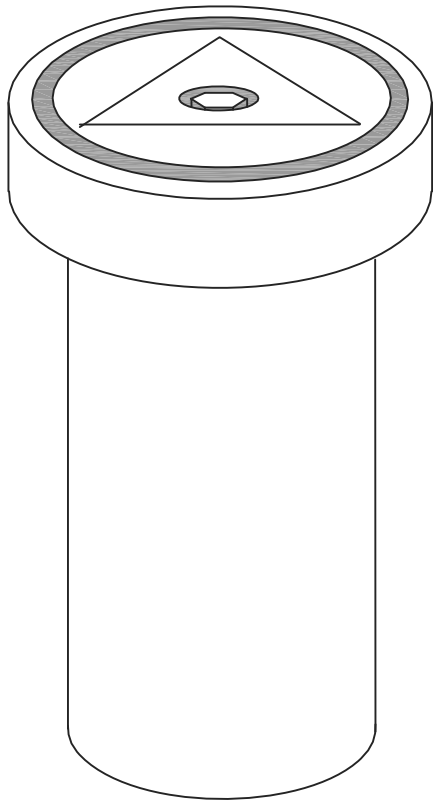


SAMPLE SPECIFICATION

2" x 6" Cast Aluminum Curb Box
Single Bolt - Expansion Style Lid
H-20 Load Rated
Weight 1.3 lbs



3"x 7" Cast Aluminum Curb Box 3" BBAL

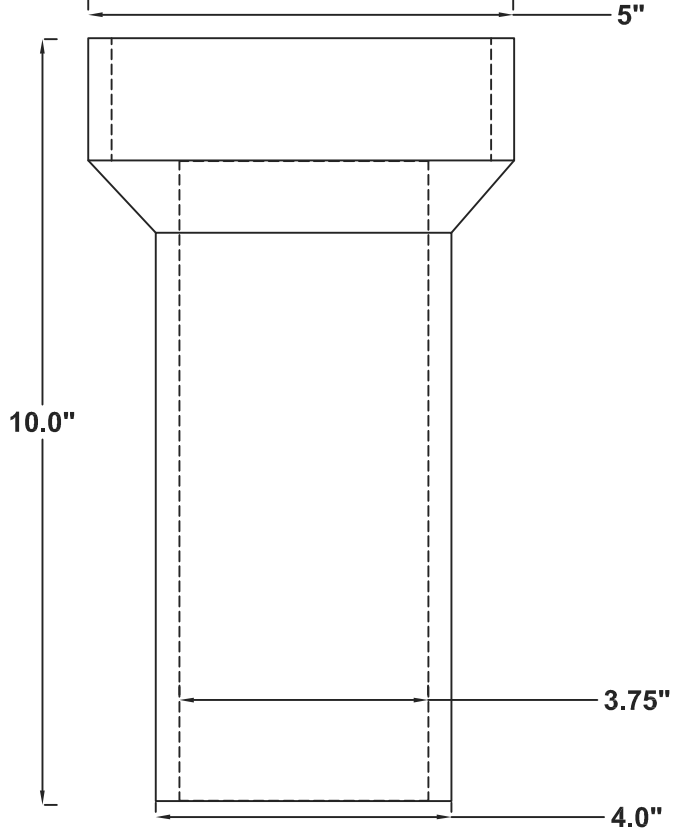
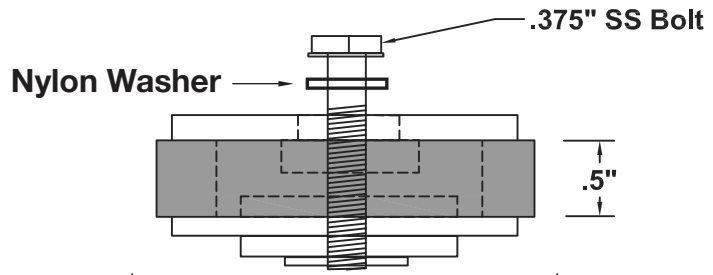
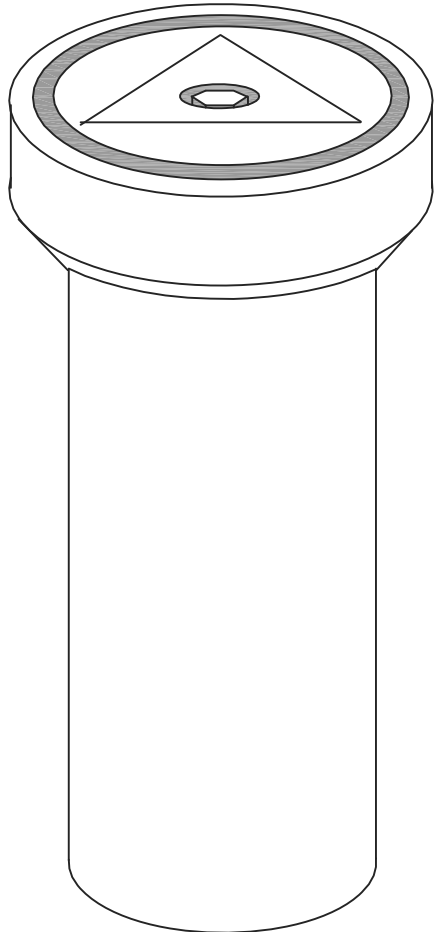


SAMPLE SPECIFICATION

3" x 7" Cast Aluminum Curb Box
Single Bolt - Expansion Style Lid
H-20 Load Rated
Weight 2.18 lbs



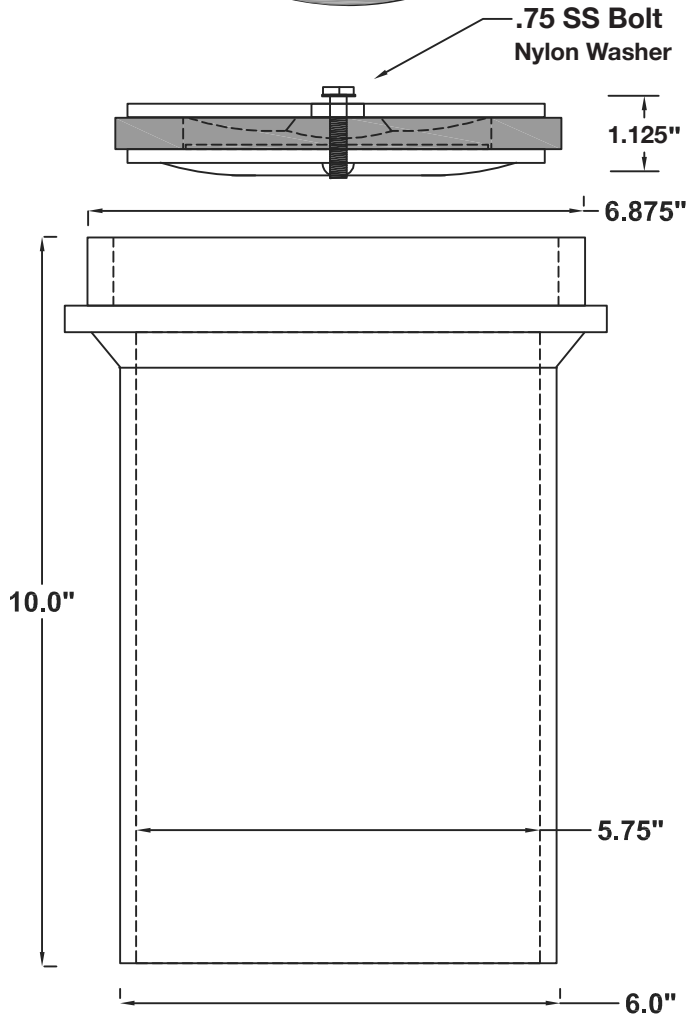
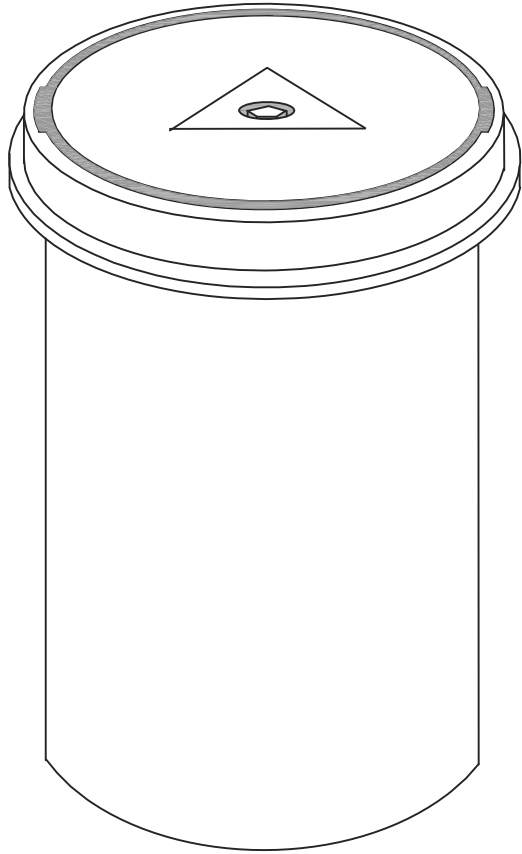
4"x 10" Cast Aluminum Curb Box 4" BBAL



SAMPLE SPECIFICATION
4" x 10" Cast Aluminum Curb Box
Single Bolt - Expansion Style Lid
H-20 Load Rated
Weight 3.12 lbs



6"x 10" Cast Aluminum Curb Box 6" BBAL

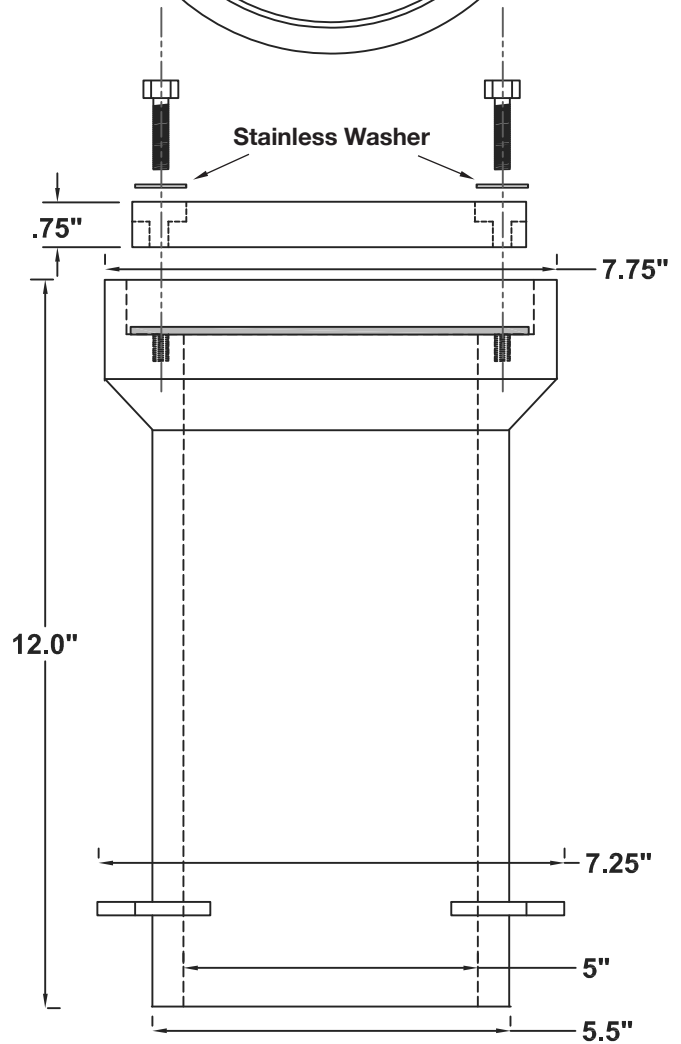
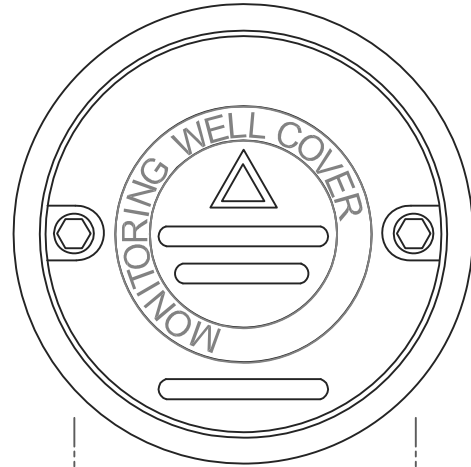
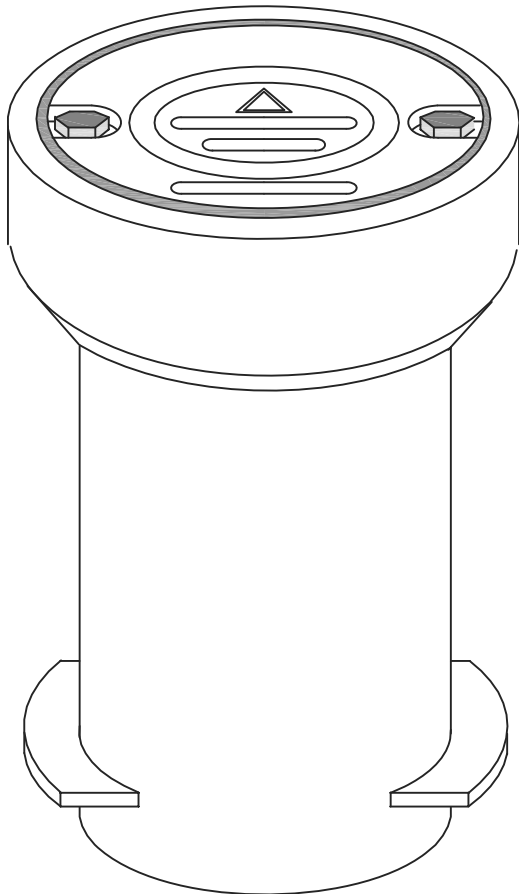


SAMPLE SPECIFICATION

6" x 10" Cast Aluminum Curb Box
Single Bolt - Expansion Style Lid
H-20 Load Rated
Weight 5.88 lbs

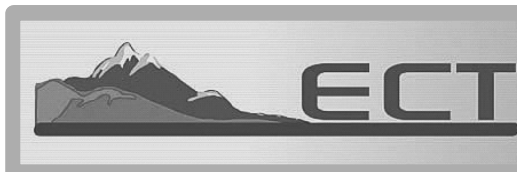


5" x 12" Aircraft Rated Curb Box MM 5x12AR



SAMPLE SPECIFICATION

5" x 12" Cast Aluminum Alloy Curb Box
Two Bolt - Water Resistant
Aircraft Load Rated
Weight 14 lbs



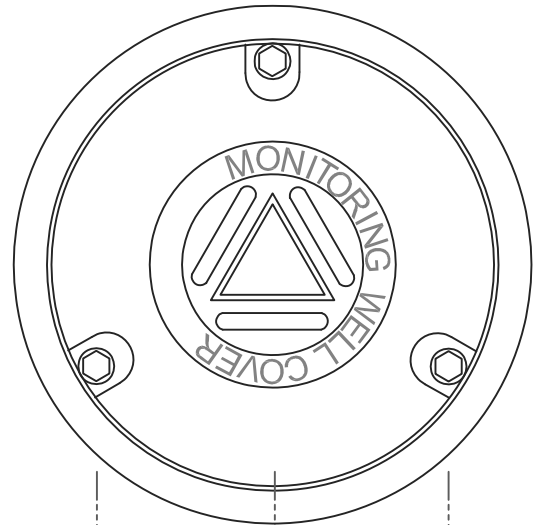
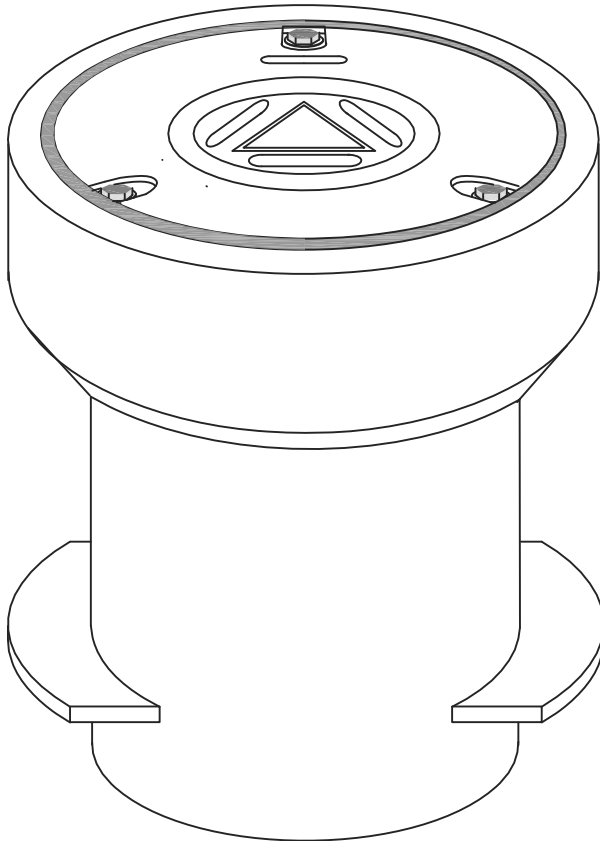
ECT MANUFACTURING

1-888-240-4328

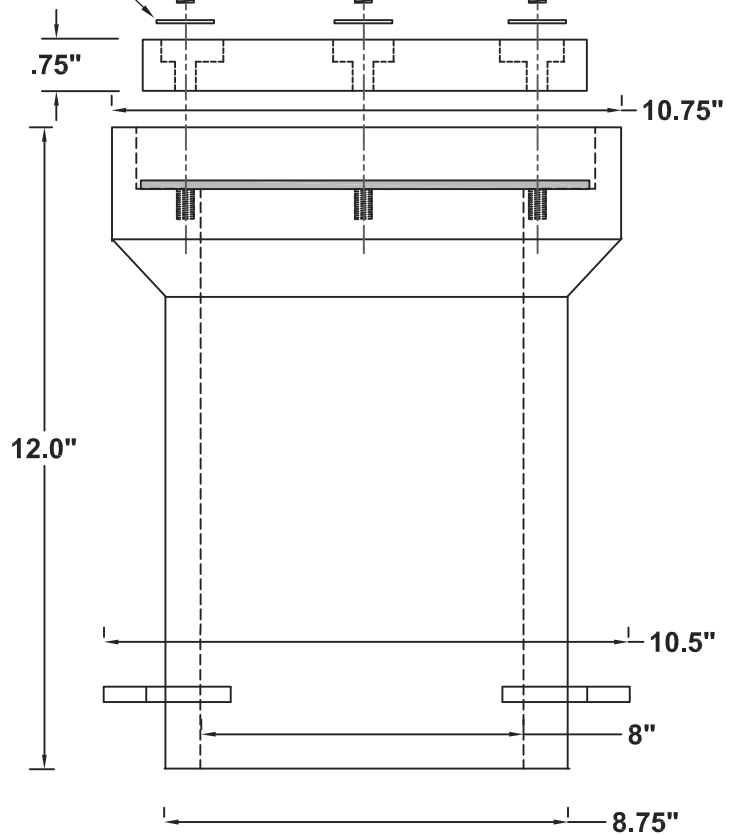
www.ectmfg.com

8" x 12" Aircraft Rated Curb Box

MM 8x12AR



Stainless Washers



SAMPLE SPECIFICATION

8" x 12" Cast Aluminum Alloy Curb Box
Three Bolt - Water Resistant
Aircraft Load Rated
Weight 23 lbs



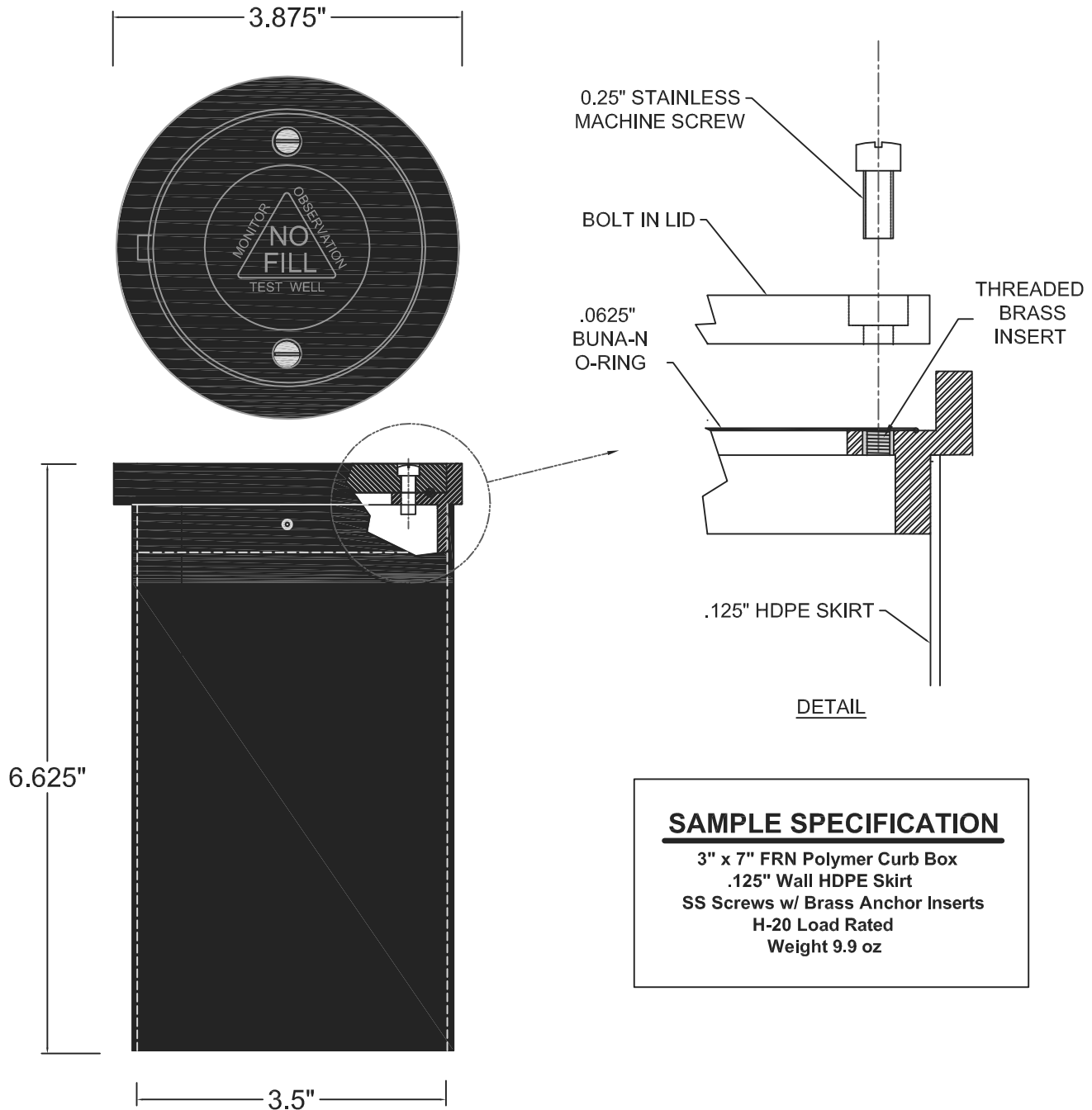
ECT MANUFACTURING

1-888-240-4328

www.ectmfg.com

3"x 7" Fiberglass Reinforced Nylon (FRN) Manhole / Curb Box

MM3x7P



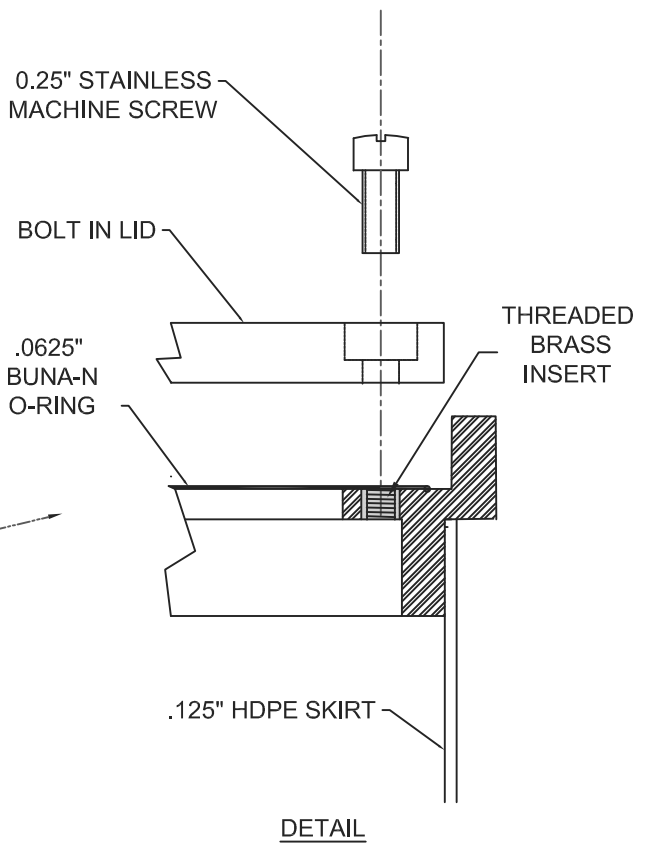
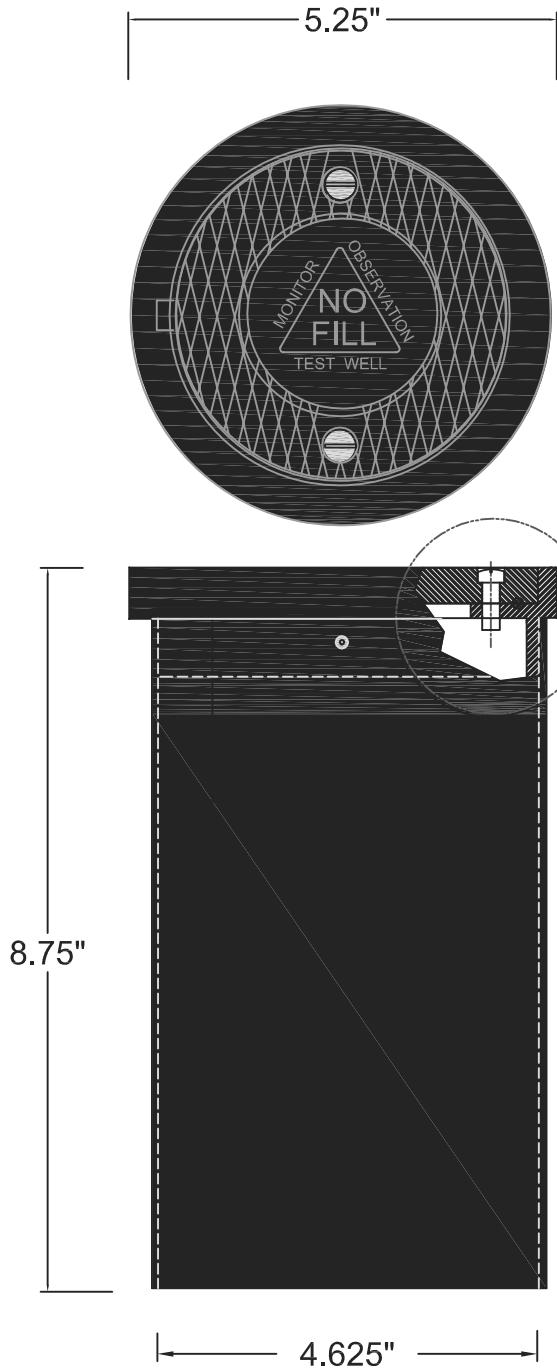
SAMPLE SPECIFICATION

3" x 7" FRN Polymer Curb Box
.125" Wall HDPE Skirt
SS Screws w/ Brass Anchor Inserts
H-20 Load Rated
Weight 9.9 oz



ECT MANUFACTURING
1-888-240-4328
www.ectmfg.com

4"x 9" Fiberglass Reinforced Nylon (FRN) Manhole / Curb Box MM4x9P



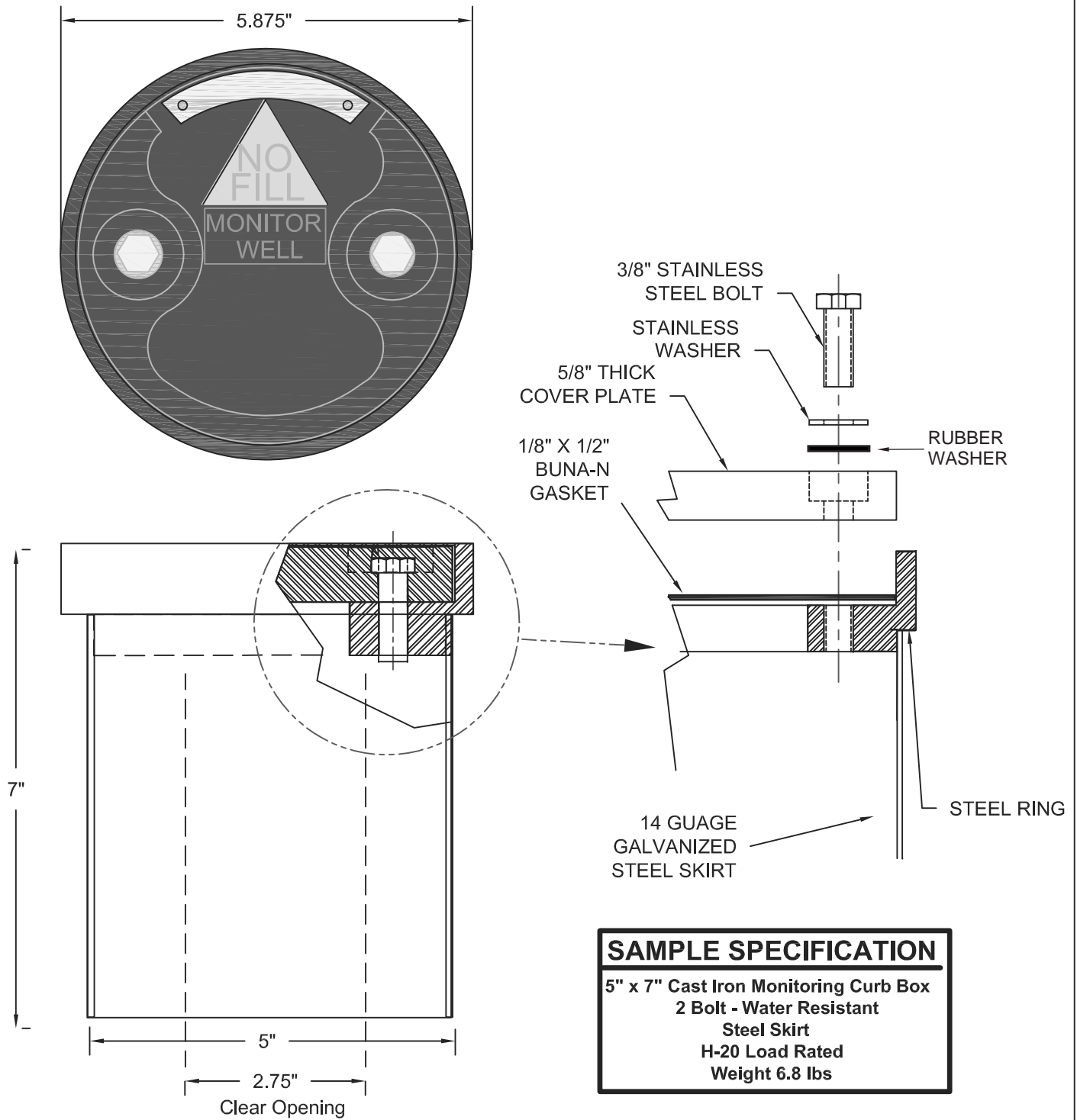
SAMPLE SPECIFICATION

4" x 9" FRN Polymer Curb Box
 .125" Wall HDPE Skirt
 SS Screws w/ Brass Anchor Inserts
 H-20 Load Rated
 Weight 18.65 oz

ECT

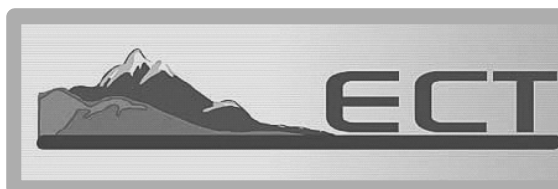
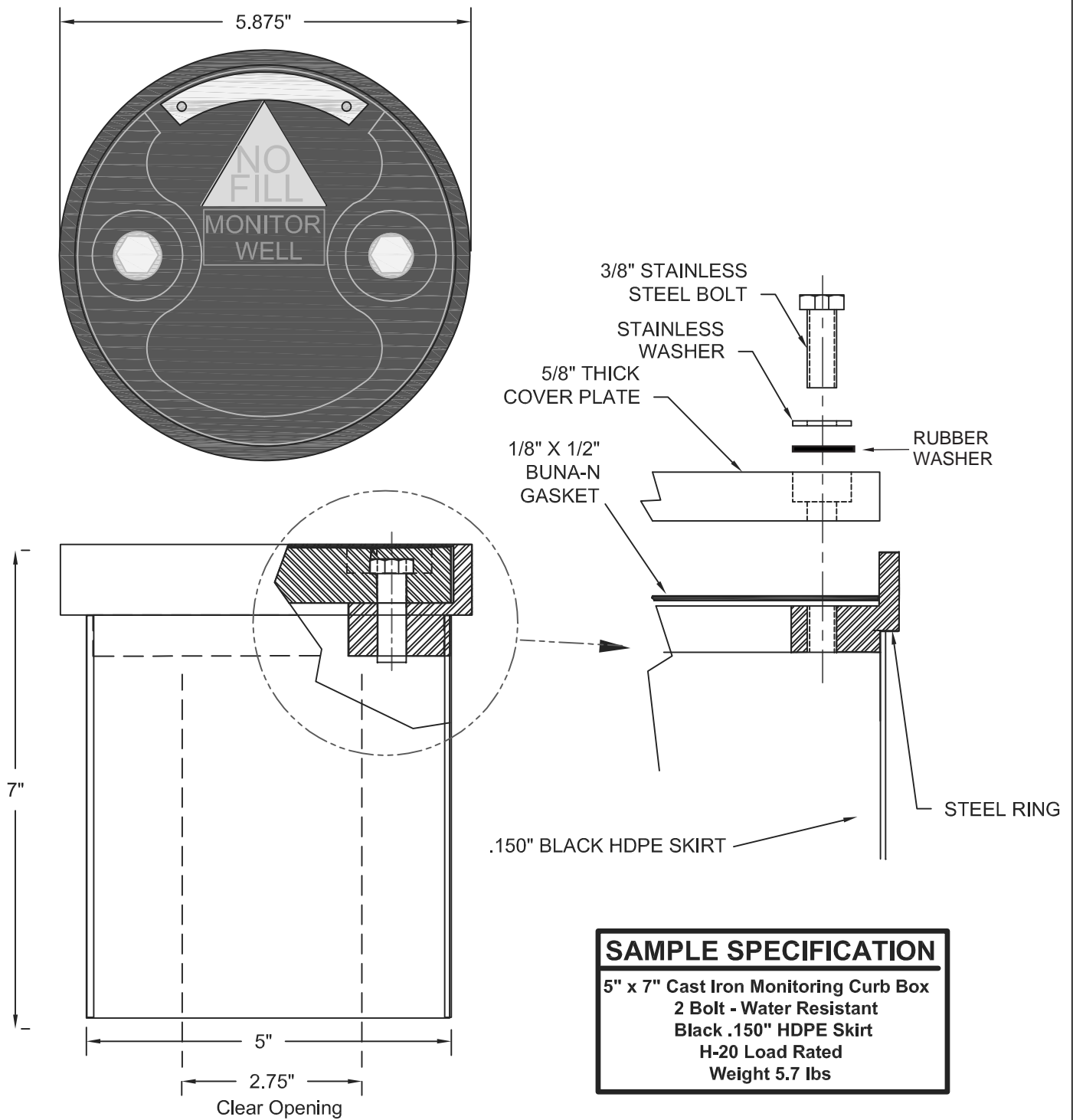
ECT MANUFACTURING
 1-888-240-4328
 www.ectmfg.com

5" Monitoring Well Manhole MM5x7M



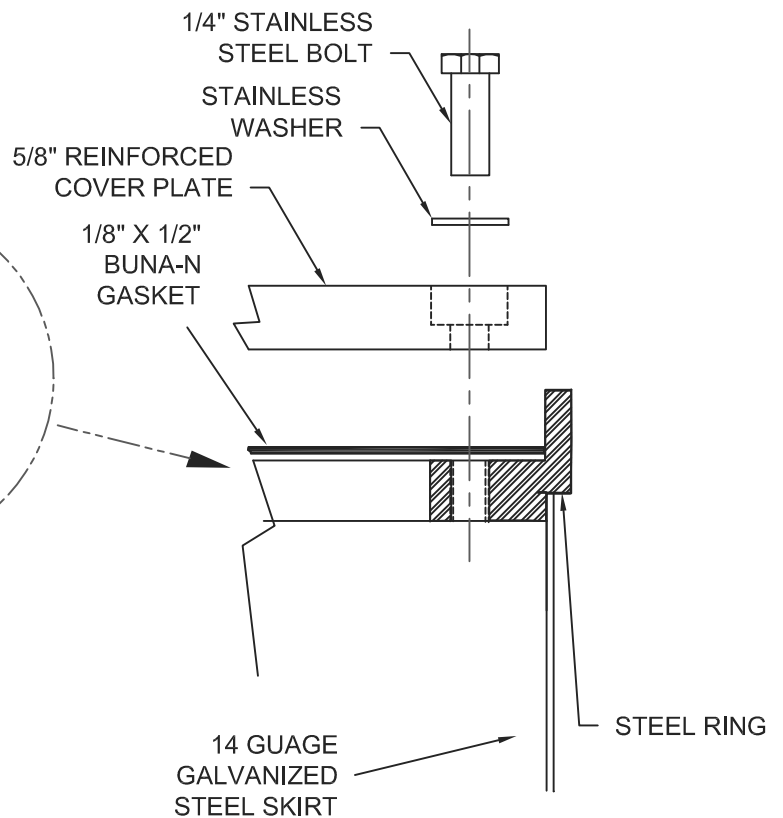
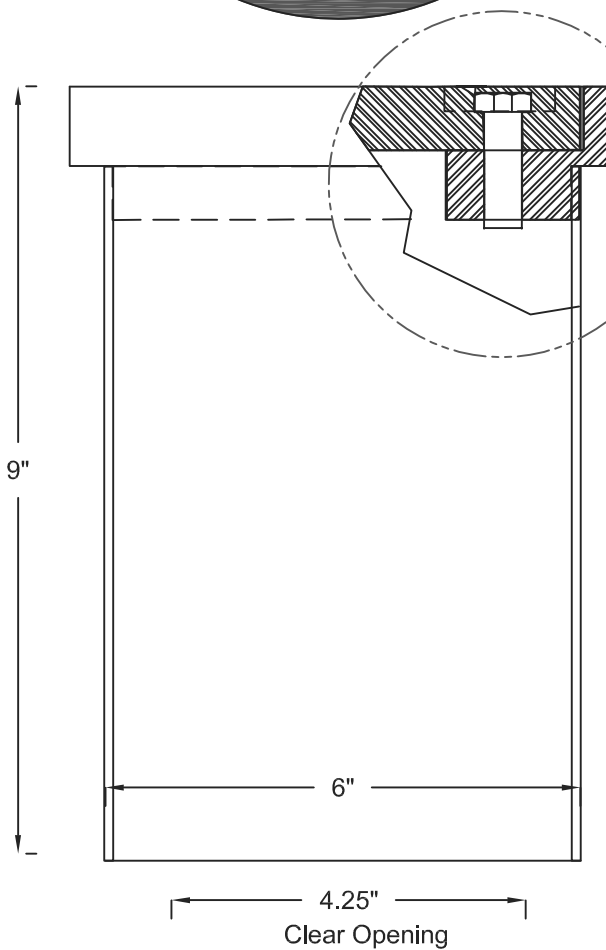
ECT MANUFACTURING
 1-888-240-4328
 www.ectmfg.com

5" Monitoring Well Manhole MM5x7P



ECT MANUFACTURING
 1-888-240-4328
 www.ectmfg.com

6" Monitoring Well Manhole MM6x9M2



SAMPLE SPECIFICATION

6" x 9" Cast Iron Monitoring Curb Box
2 Bolt - Water Resistant
Steel Skirt
H-20 Load Rated
Weight 5.86 lbs

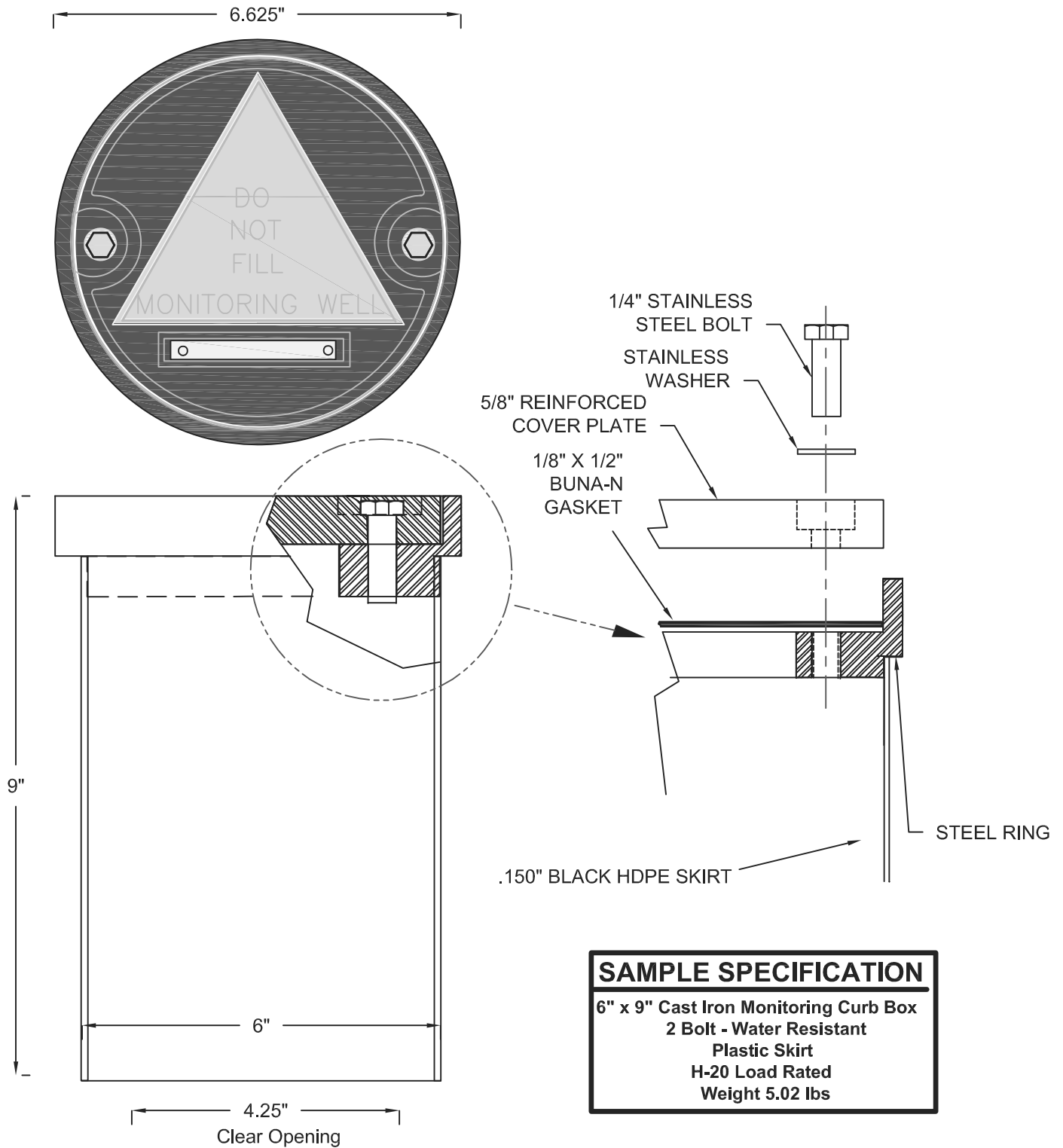


ECT MANUFACTURING

1-888-240-4328

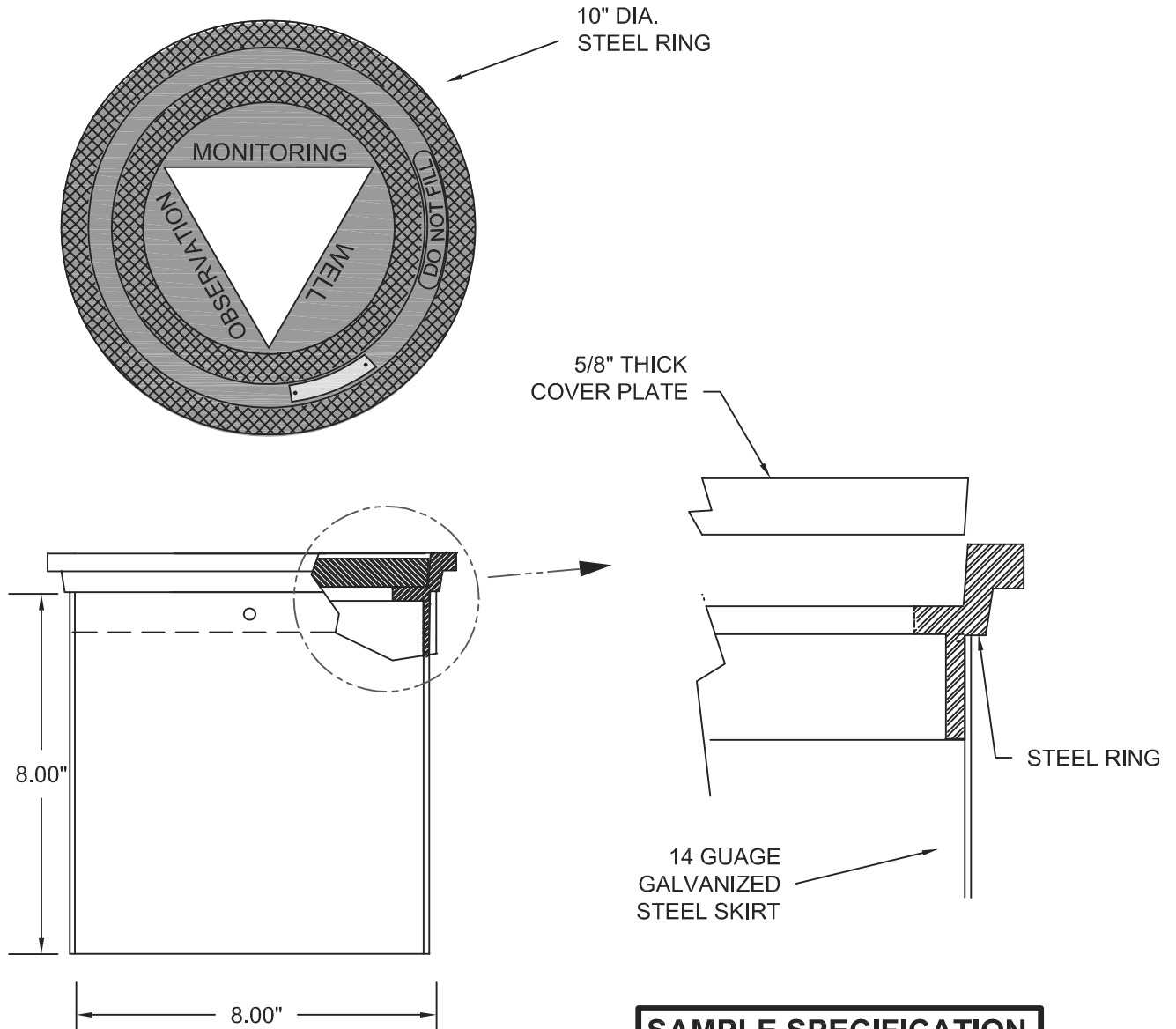
www.ectmfg.com

6" Monitoring Well Manhole MM6x9P2



ECT MANUFACTURING
1-888-240-4328
www.ectmfg.com

8" Monitoring Well Manhole MM8x8MLI



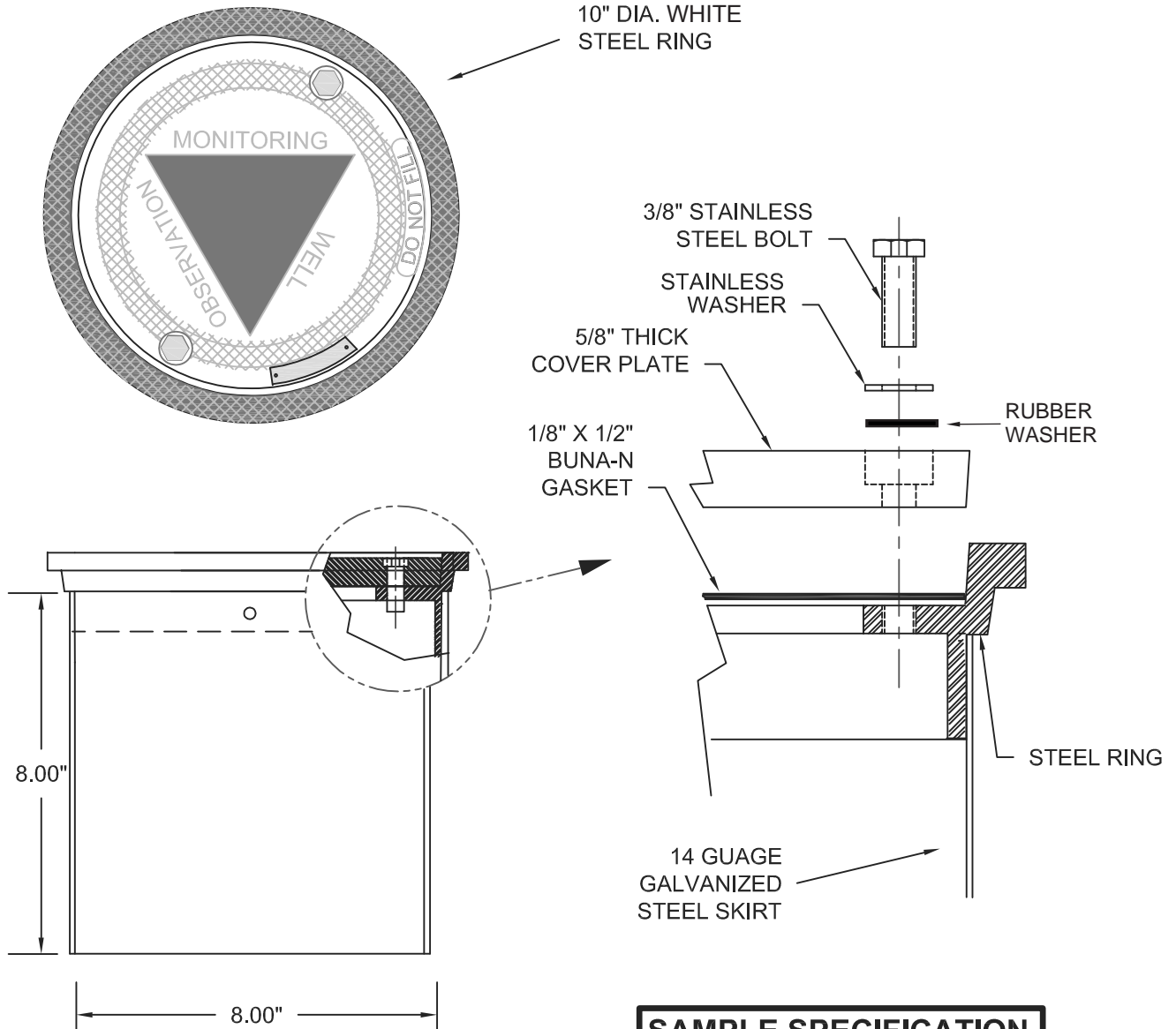
SAMPLE SPECIFICATION

8" x 8" Cast Iron Monitoring Curb Box
Lay-In Black Lid w/ White Triangle
Steel Skirt
H-20 Load Rated Weight 13.0 lbs



ECT MANUFACTURING
1-888-240-4328
www.ectmfg.com

8" Monitoring Well Manhole MM8x8M2w



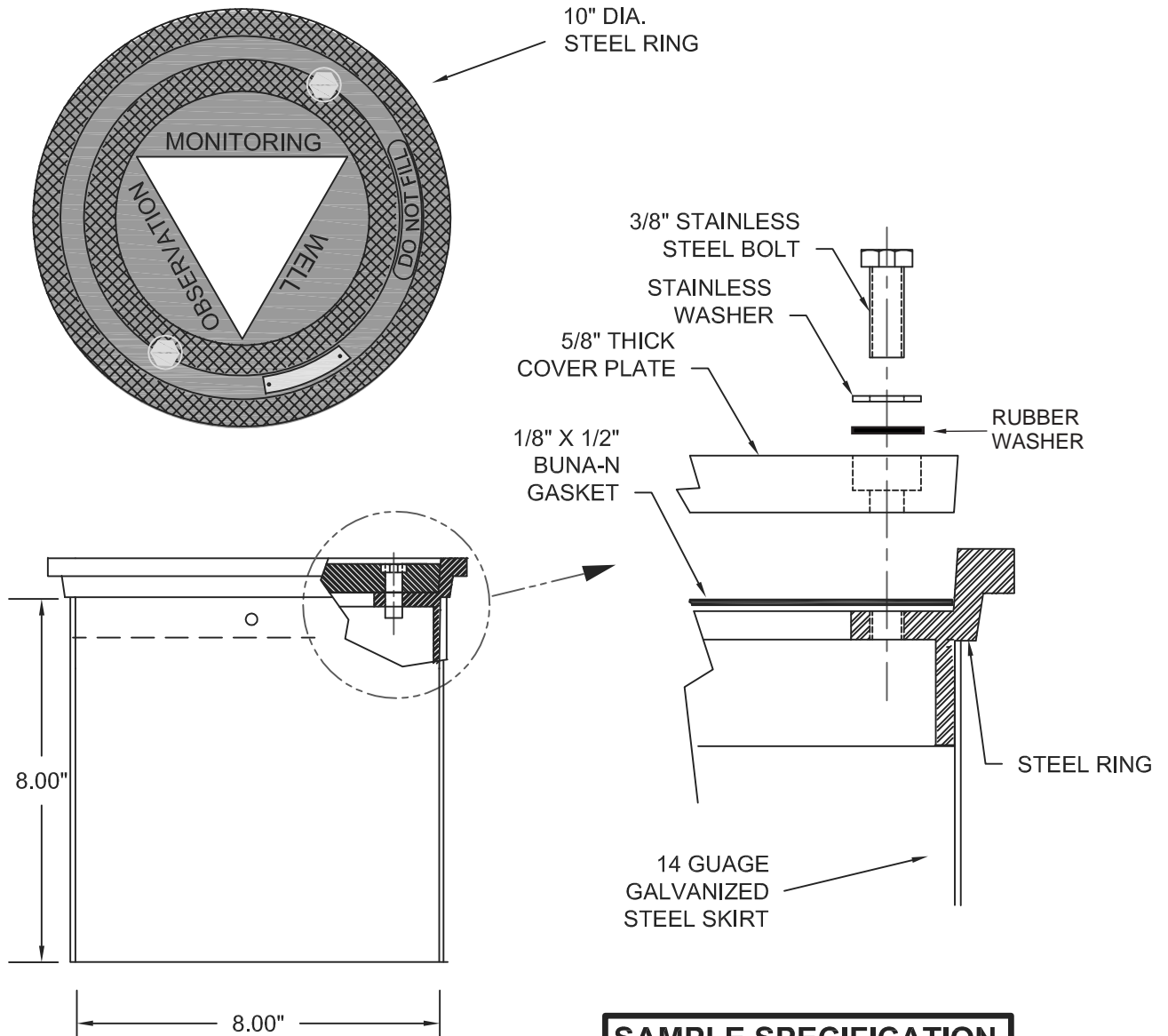
SAMPLE SPECIFICATION

8" x 8" Cast Iron Monitoring Curb Box
2 Bolt - Water Resistant
Steel Skirt
H-20 Load Rated
Weight 13.3 lbs



ECT MANUFACTURING
1-888-240-4328
www.ectmfg.com

8" Monitoring Well Manhole MM8x8M2



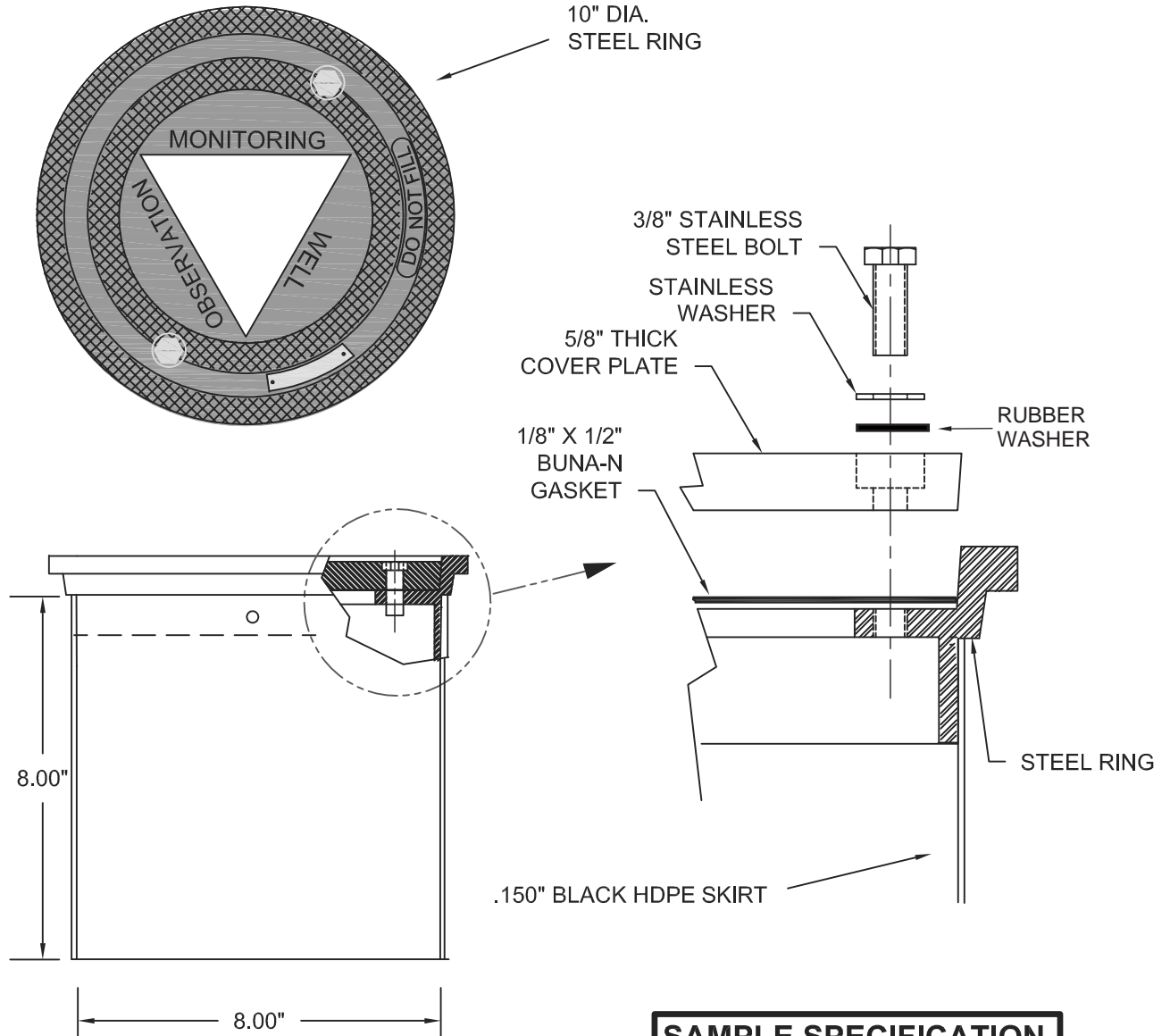
SAMPLE SPECIFICATION

8" x 8" Cast Iron Monitoring Curb Box
 2 Bolt - Water Resistant
 Steel Skirt
 H-20 Load Rated
 Weight 13.1 lbs



ECT MANUFACTURING
 1-888-240-4328
 www.ectmfg.com

8" Monitoring Well Manhole MM8x8P2



SAMPLE SPECIFICATION

8" x 8" Cast Iron Monitoring Curb Box
 2 Bolt - Water Resistant
 Black .150" HDPE Skirt
 H-20 Load Rated
 Weight 11.7 lbs

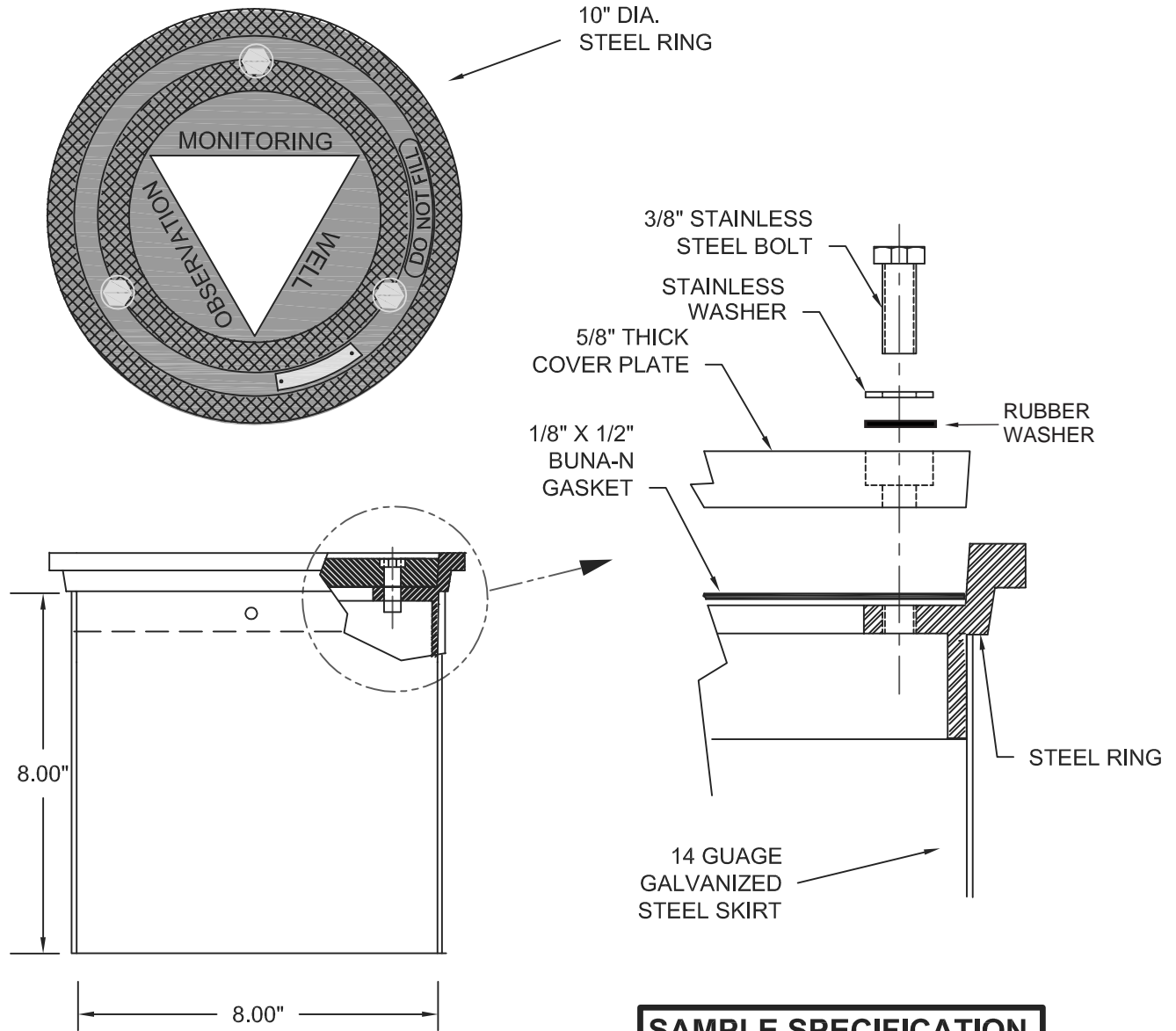


ECT MANUFACTURING

1-888-240-4328

www.ectmfg.com

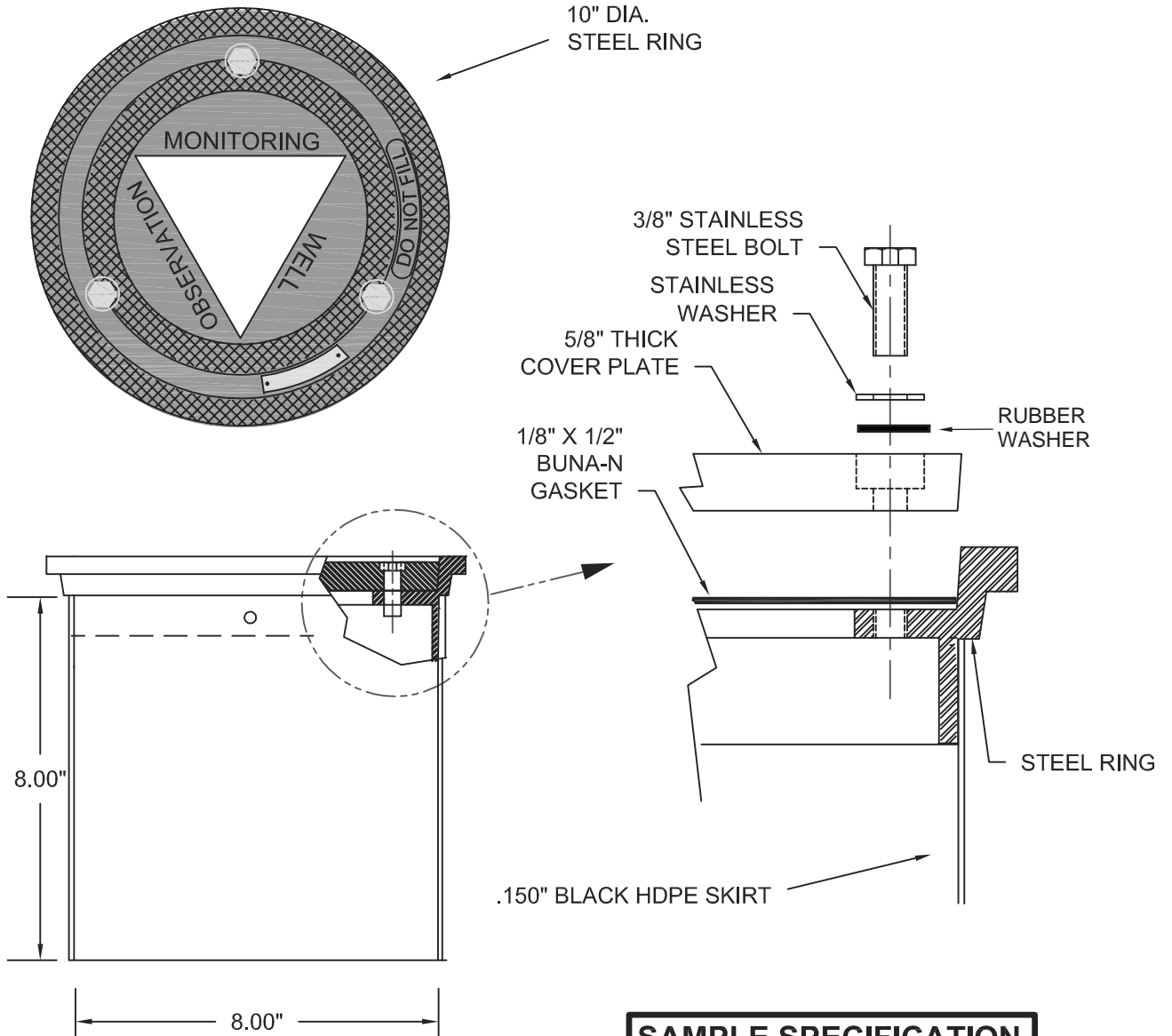
8" Monitoring Well Manhole MM8x8M3



SAMPLE SPECIFICATION
8" x 8" Cast Iron Monitoring Curb Box
3 Bolt - Water Resistant
Steel Skirt
H-20 Load Rated
Weight 13.3 lbs

ECT MANUFACTURING
1-888-240-4328
www.ectmfg.com

8" Monitoring Well Manhole MM8x8P3



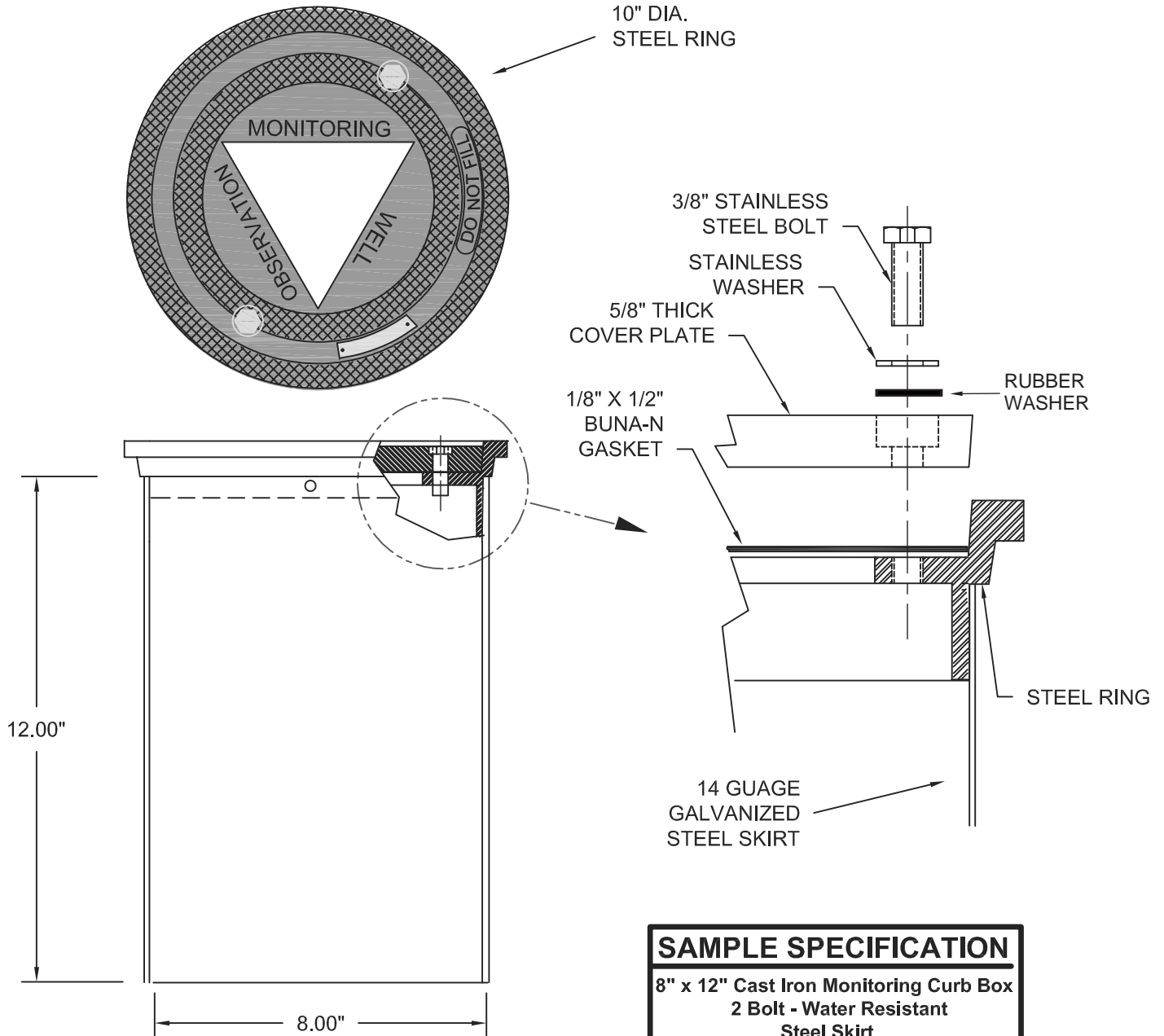
SAMPLE SPECIFICATION

8" x 8" Cast Iron Monitoring Curb Box
 3 Bolt - Water Resistant
 Black .150" HDPE Skirt
 H-20 Load Rated
 Weight 12.3 lbs



ECT MANUFACTURING
 1-888-240-4328
 www.ectmfg.com

8" Monitoring Well Manhole MM8x12M2



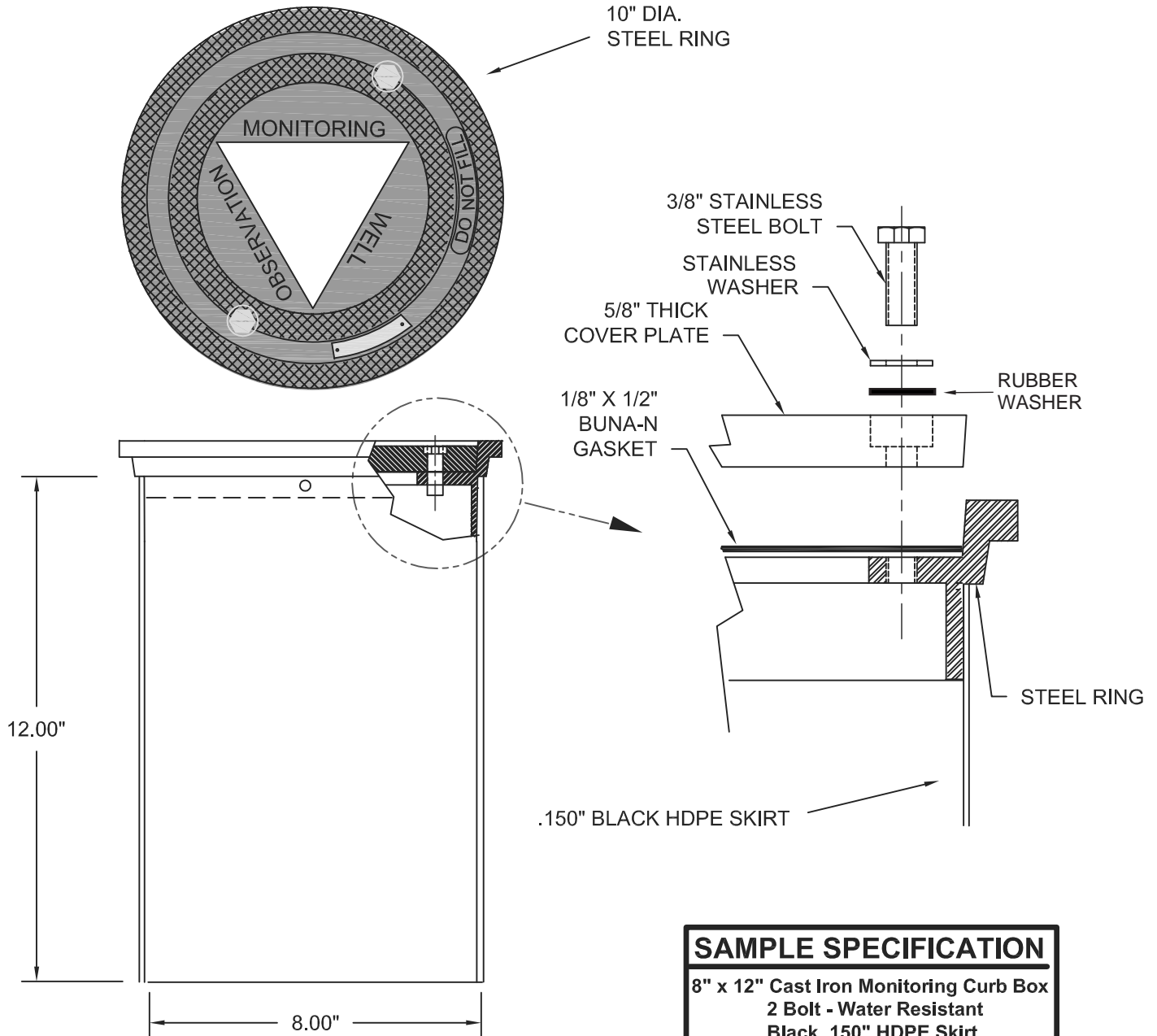
SAMPLE SPECIFICATION

8" x 12" Cast Iron Monitoring Curb Box
 2 Bolt - Water Resistant
 Steel Skirt
 H-20 Load Rated
 Weight 13.9 lbs



ECT MANUFACTURING
 1-888-240-4328
 www.ectmfg.com

8" Monitoring Well Manhole MM8x12P2



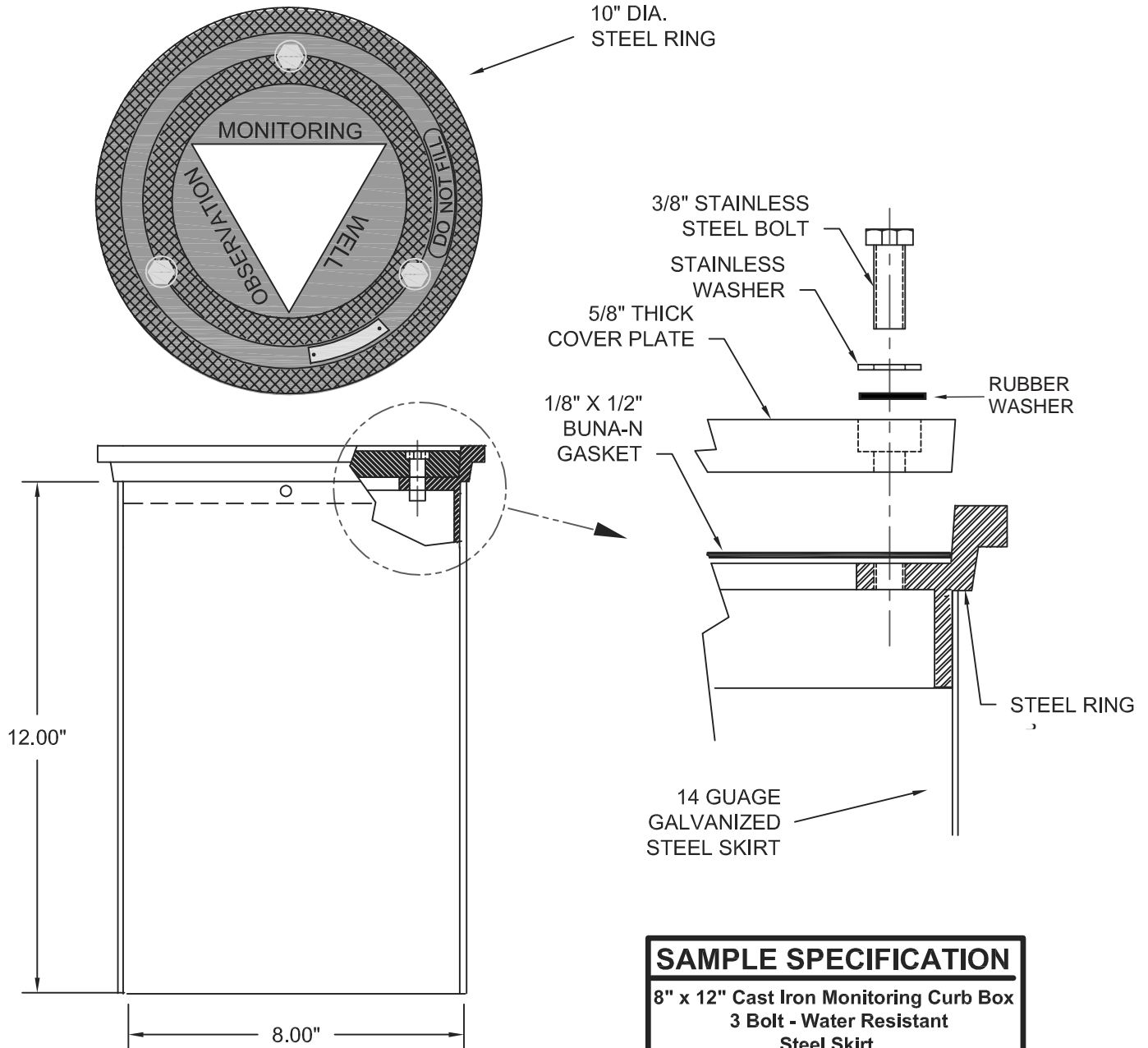
SAMPLE SPECIFICATION

8" x 12" Cast Iron Monitoring Curb Box
 2 Bolt - Water Resistant
 Black .150" HDPE Skirt
 H-20 Load Rated
 Weight 12.7 lbs



ECT MANUFACTURING
 1-888-240-4328
 www.ectmfg.com

8" Monitoring Well Manhole MM8x12M3



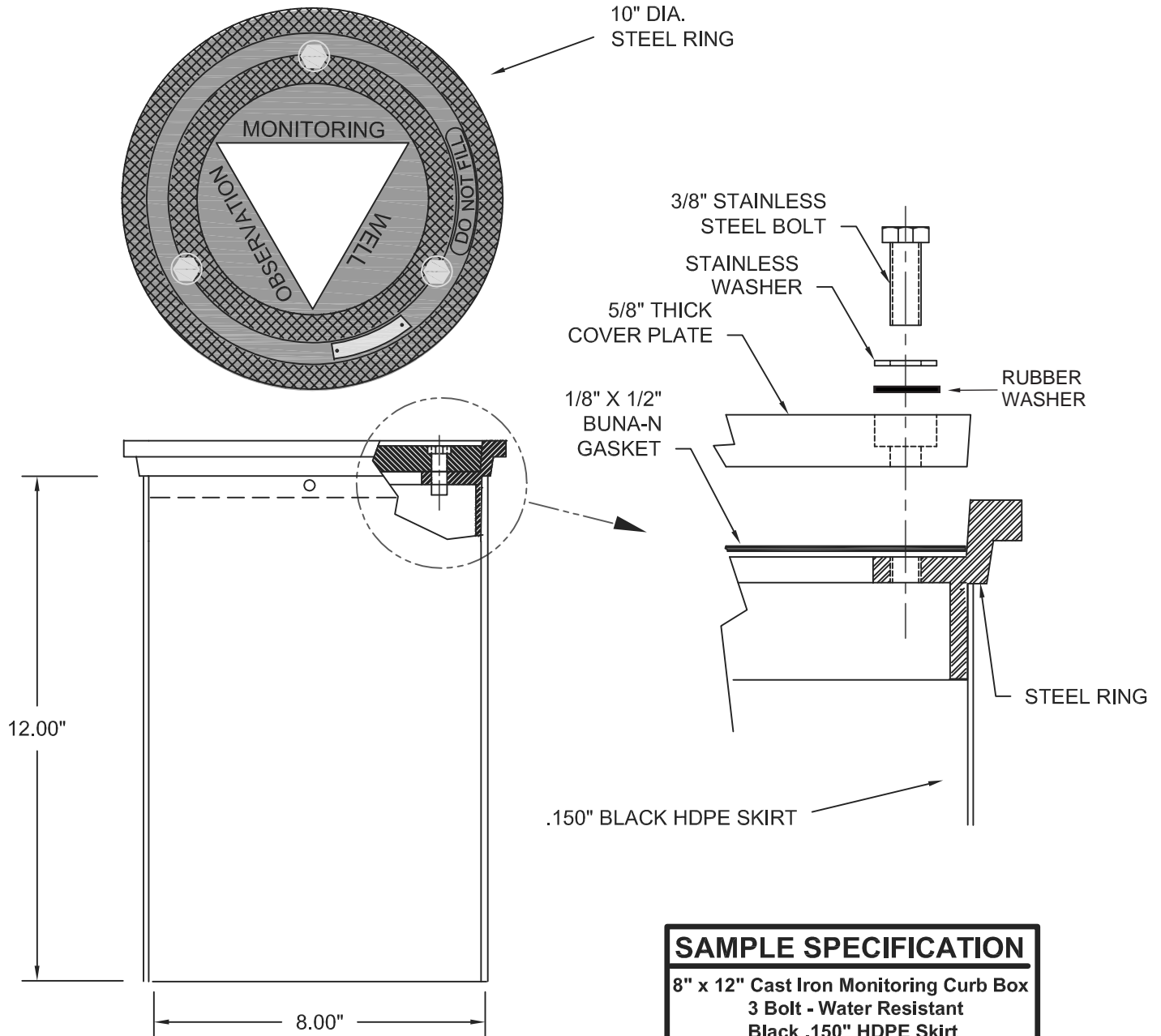
SAMPLE SPECIFICATION

8" x 12" Cast Iron Monitoring Curb Box
 3 Bolt - Water Resistant
 Steel Skirt
 H-20 Load Rated
 Weight 14.4 lbs



ECT MANUFACTURING
 1-888-240-4328
 www.ectmfg.com

8" Monitoring Well Manhole MM8x12P3

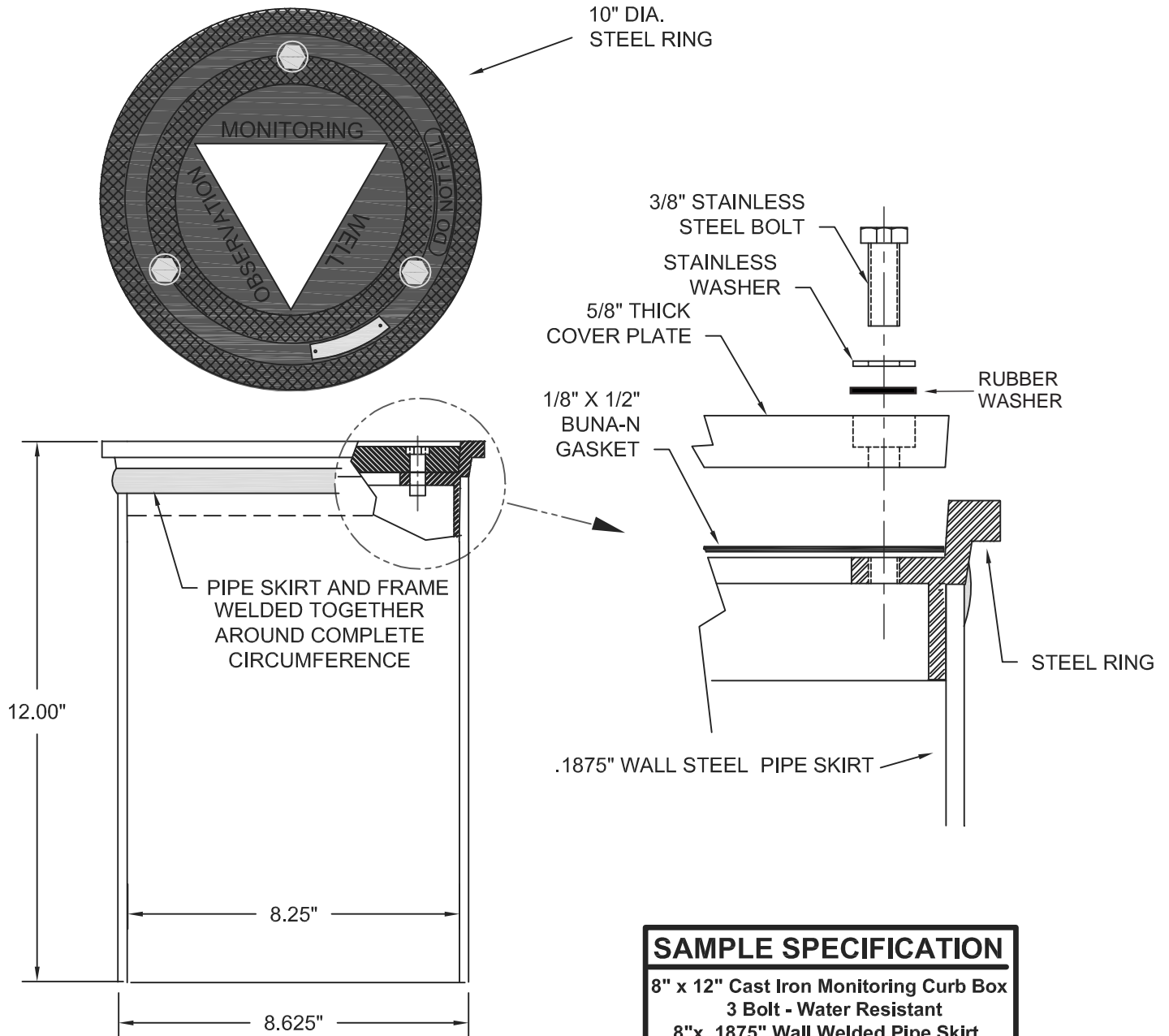


SAMPLE SPECIFICATION

8" x 12" Cast Iron Monitoring Curb Box
 3 Bolt - Water Resistant
 Black .150" HDPE Skirt
 H-20 Load Rated
 Weight 12.3 lbs

ECT MANUFACTURING
 1-888-240-4328
 www.ectmfg.com

8" EXTREME DUTY Monitoring Well Manhole MM8x12XD

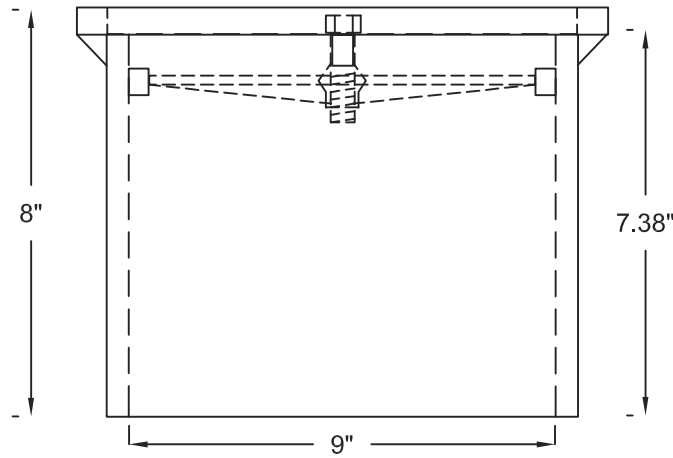
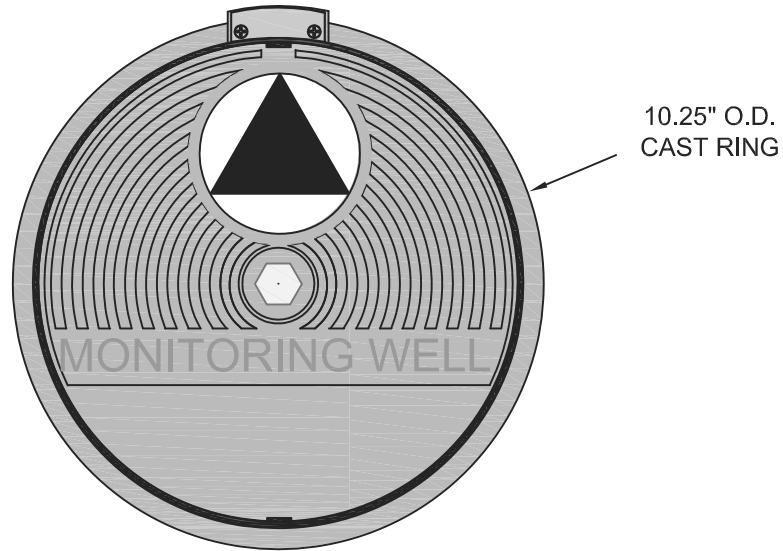


SAMPLE SPECIFICATION

8" x 12" Cast Iron Monitoring Curb Box
 3 Bolt - Water Resistant
 8"x .1875" Wall Welded Pipe Skirt
 H-20 Load Rated
 Weight 23 lbs

ECT MANUFACTURING
 1-888-240-4328
 www.ectmfg.com

9" Model 519 Test Well Manhole 519-0100AM

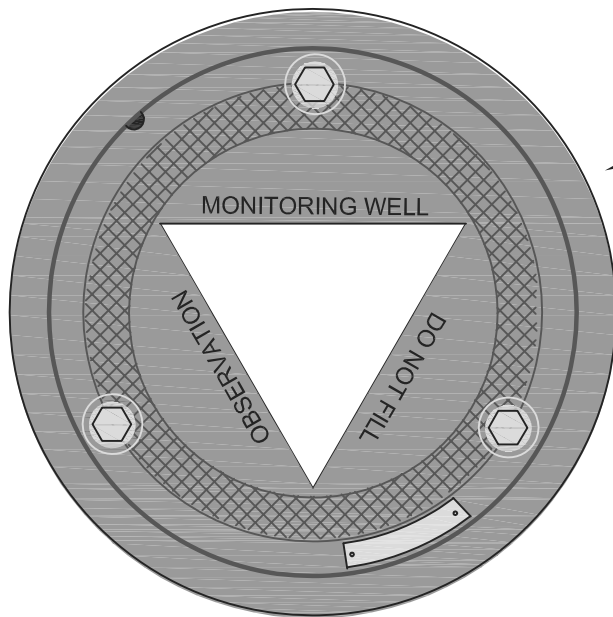


SAMPLE SPECIFICATION

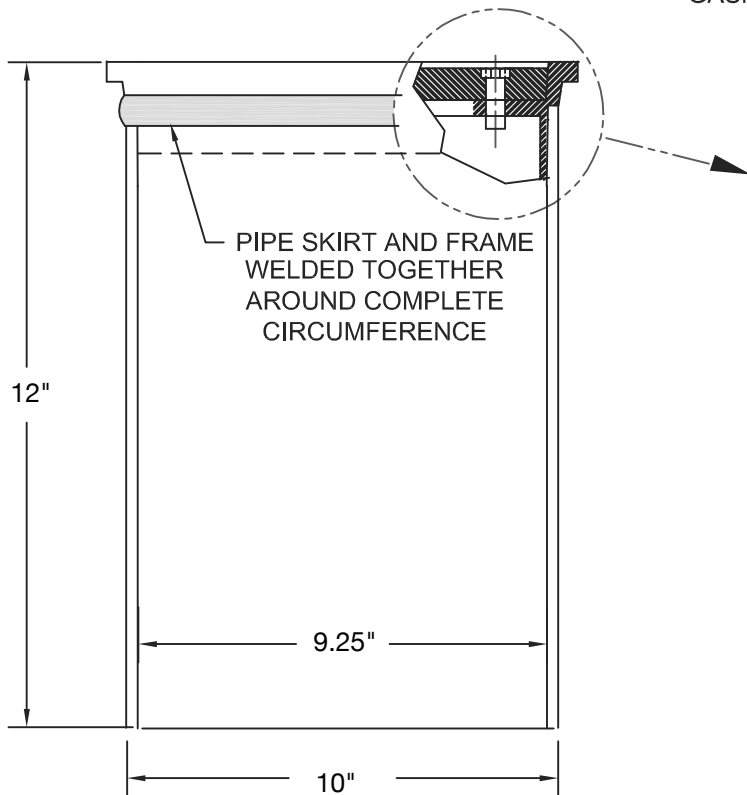
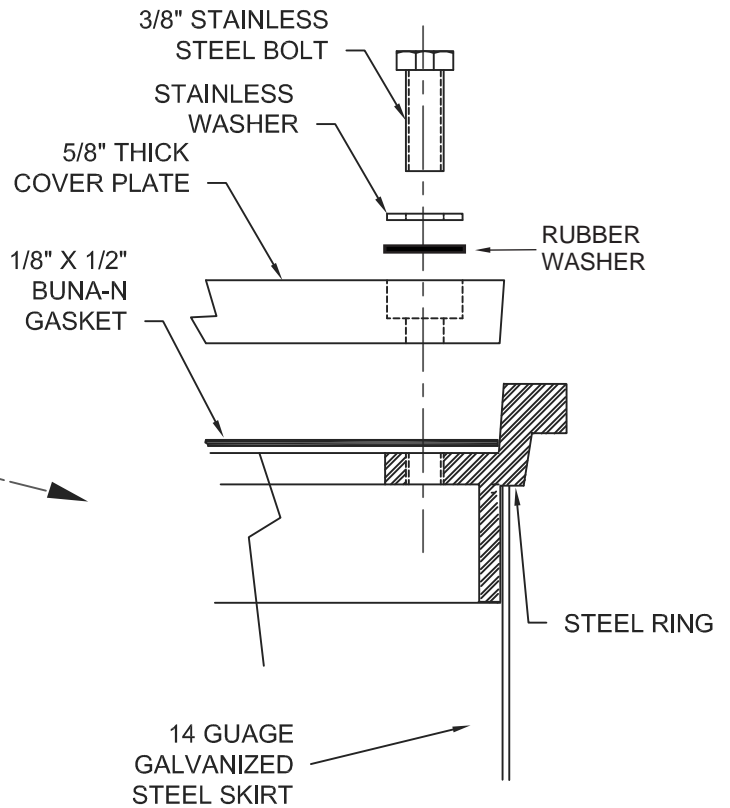
9" x 8" Cast Iron Test Well Curb Box
Single Bolt w/ 3 Spoke Spider Lid Anchor
Water Tight One Piece Cast Ring and Skirt
H-20 Load Rated
Weight 32 lbs



10" Monitoring Well Manhole MM10x12XD



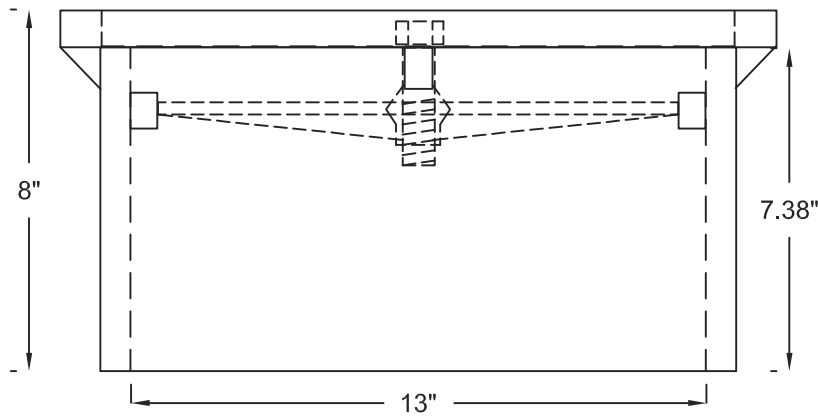
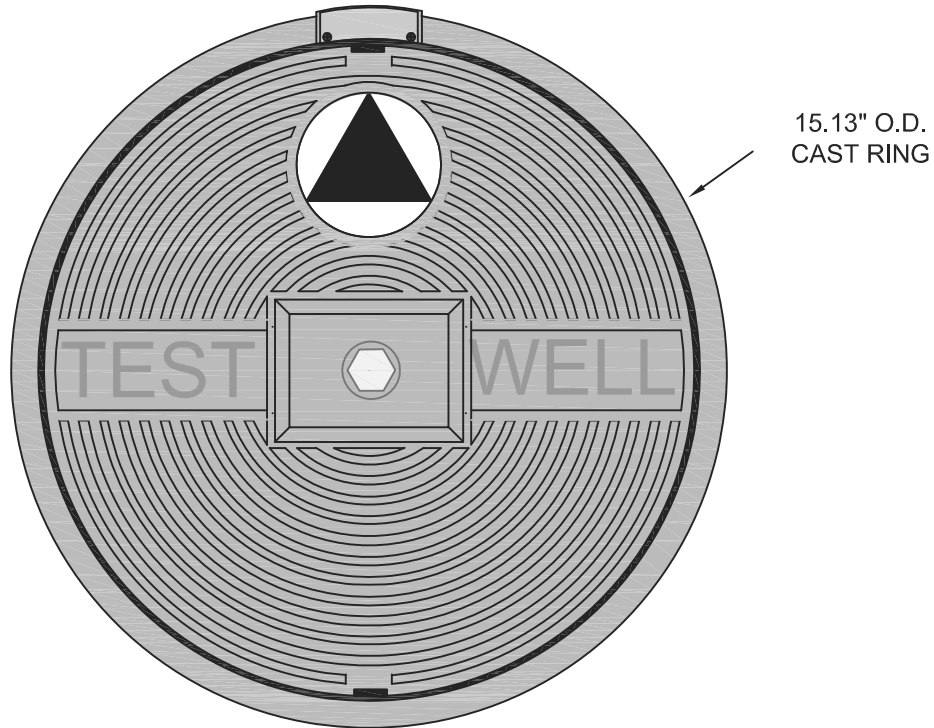
13" DIA.
STEEL RING



SAMPLE SPECIFICATION
 10" x 12" Cast Iron Monitoring Curb Box
 3 Bolt - Water Resistant
 12" x .1875" Wall Welded Pipe Skirt
 H-20 Load Rated
 Rated Weight 33.9 lbs

ECT MANUFACTURING
 1-888-240-4328
 www.ectmfg.com

12" Model 519 Test Well Manhole 519-0200AM

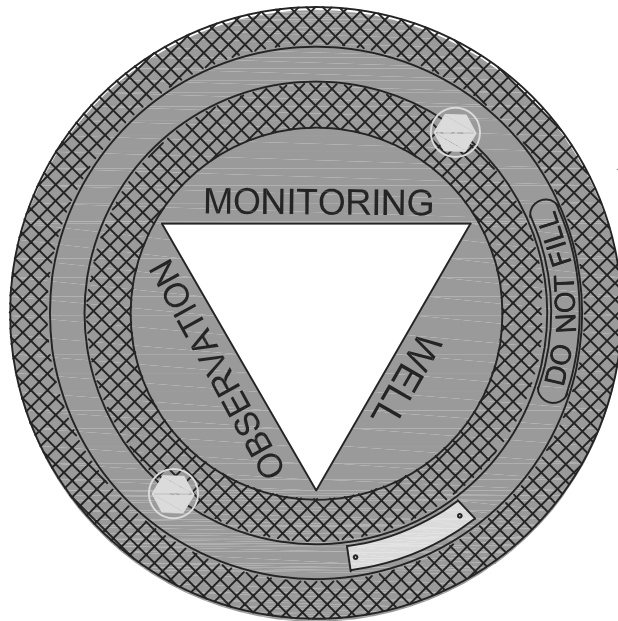


SAMPLE SPECIFICATION

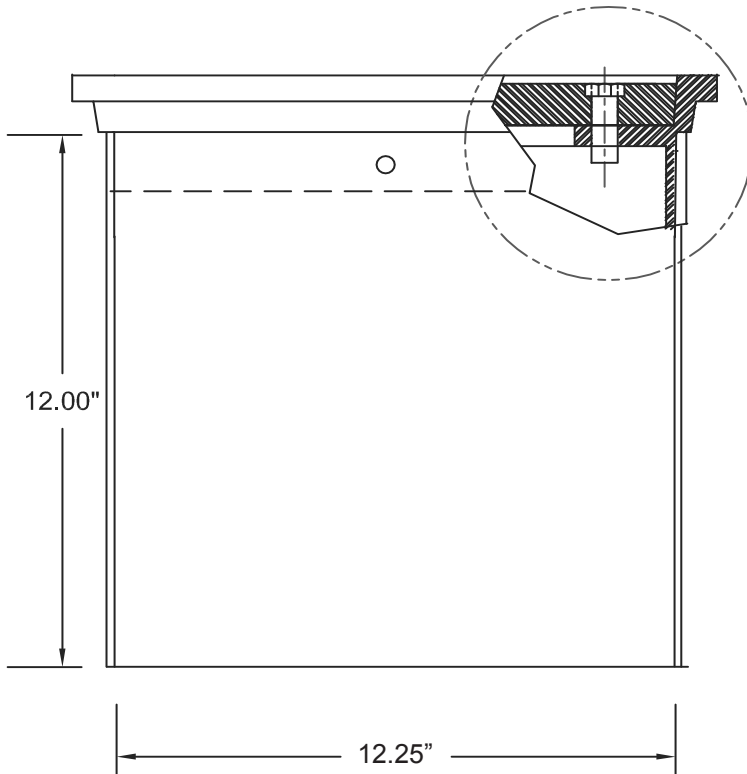
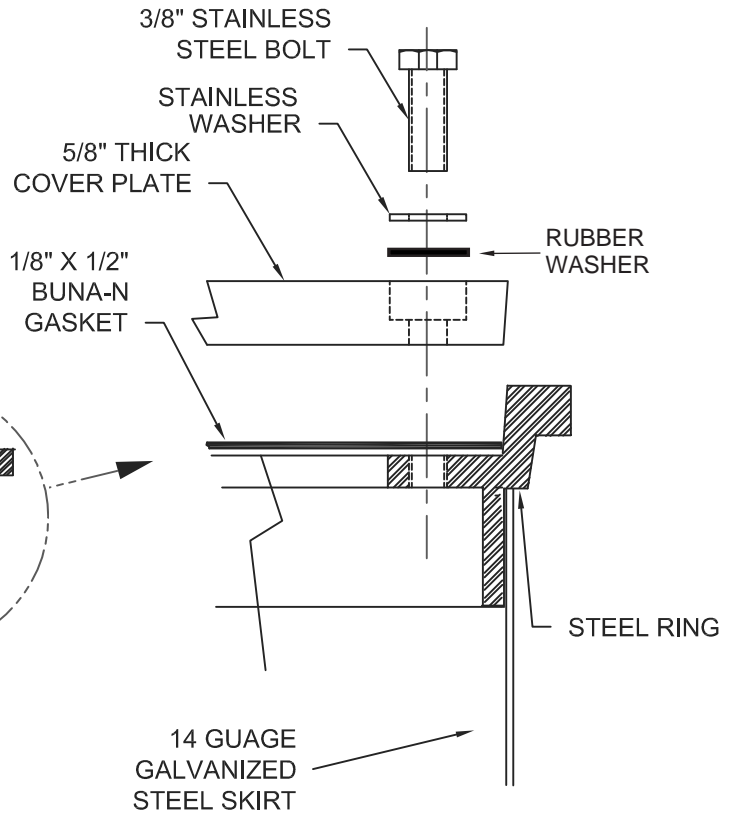
12" x 8" Cast Iron Test Well Curb Box
Single Bolt w/ 3 Spoke Spider Lid Anchor
Water Tight One Piece Cast Ring and Skirt
H-20 Load Rated
Weight 72 lbs



12" Monitoring Well Manhole MM12x12M2



14" DIA.
STEEL RING



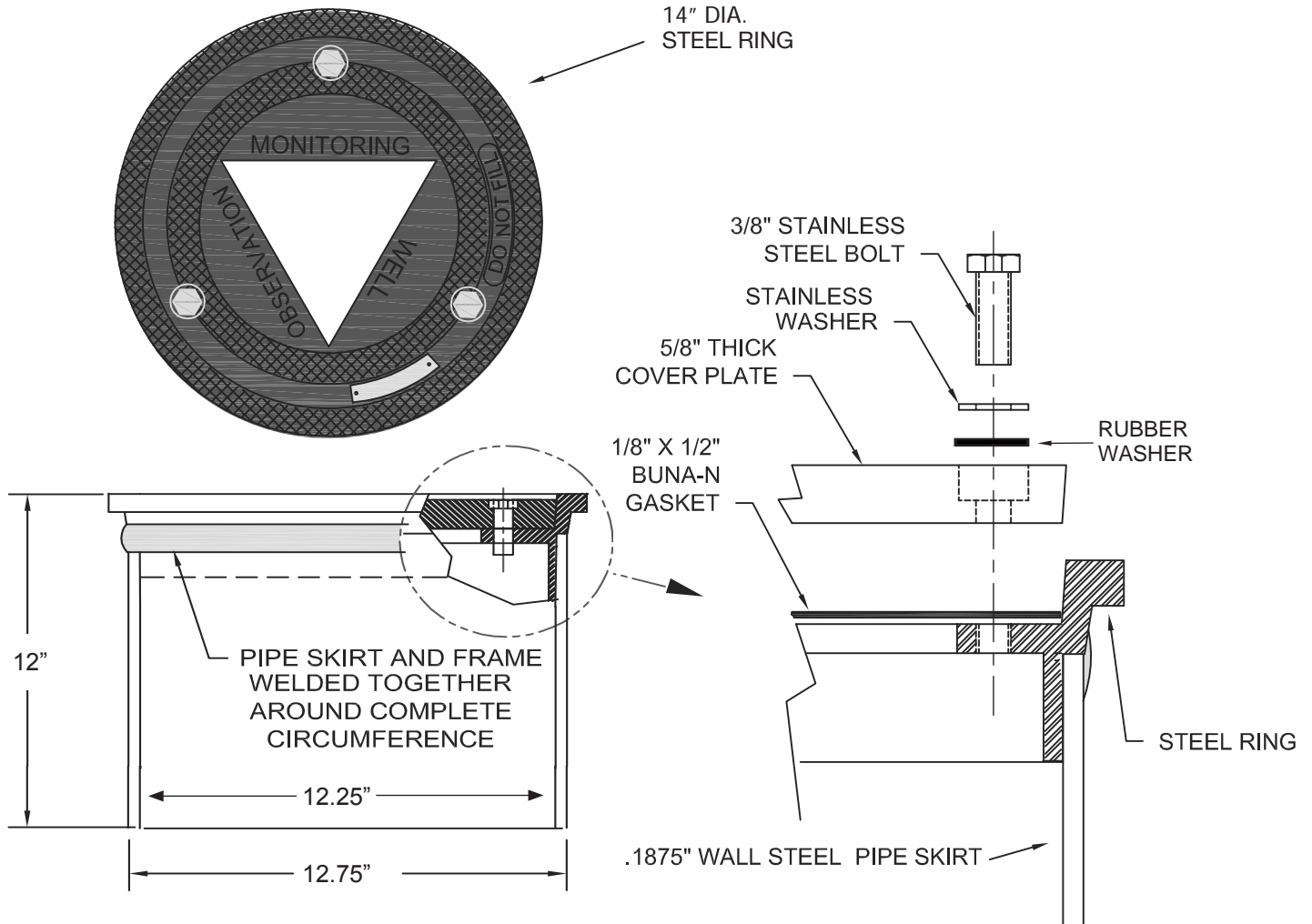
SAMPLE SPECIFICATION

12" x 12" Cast Iron Monitoring Curb Box
2 Bolt - Water Resistant
Steel Skirt
H-20 Load Rated
Weight 29.8 lbs



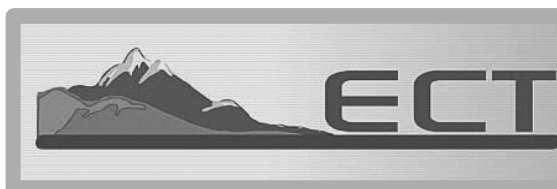
ECT MANUFACTURING
1-888-240-4328
www.ectmfg.com

12" EXTREME DUTY Monitoring Well Manhole MM12x12XD



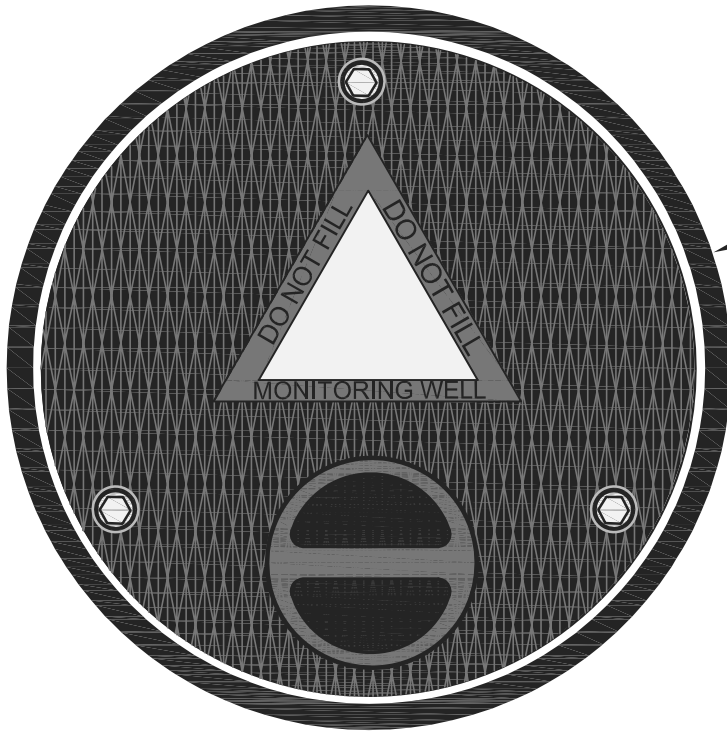
SAMPLE SPECIFICATION

12" x 12" Cast Iron Monitoring Curb Box
 3 Bolt - Water Resistant
 12" x .1875" Wall Welded Pipe Skirt
 H-20 Load Rated
 Weight 56 lbs

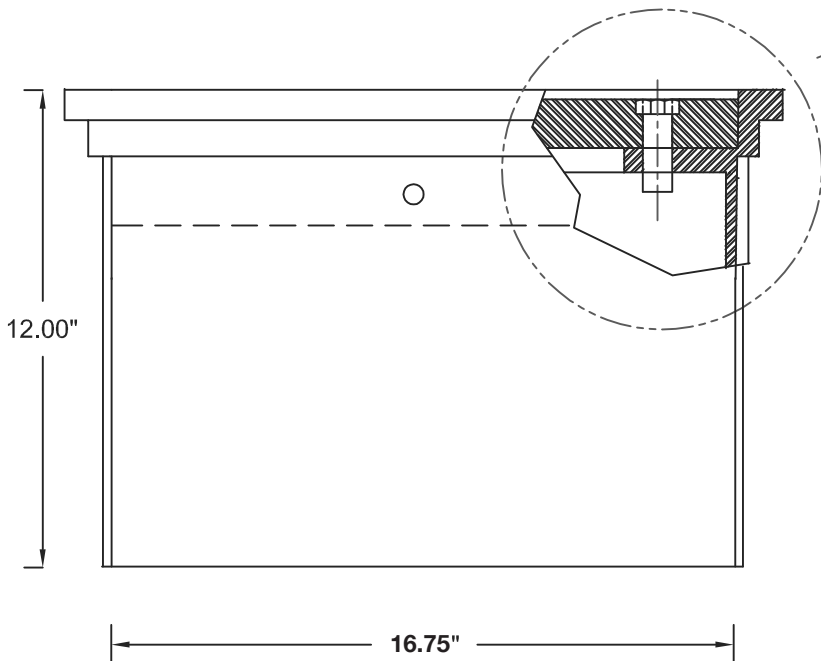
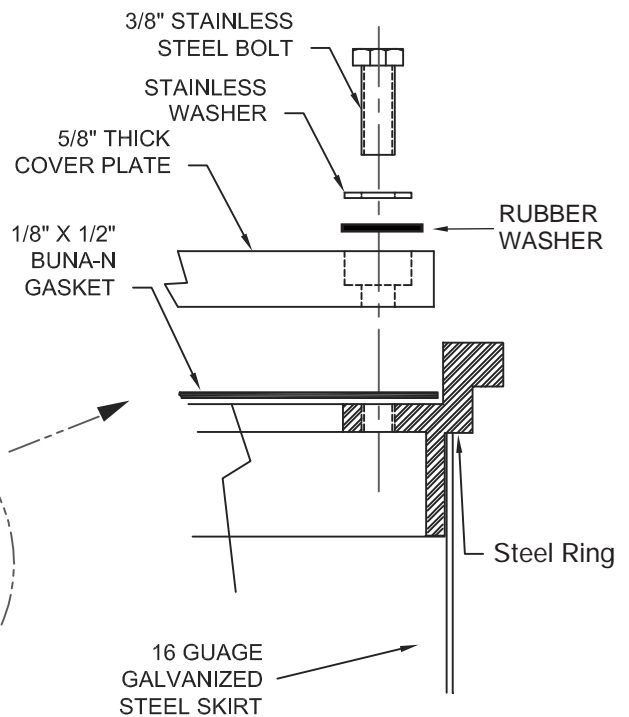


ECT MANUFACTURING
 1-888-240-4328
 www.ectmfg.com

18" Monitoring Well Manhole MM18x12M3



18 3/8" DIA.
Steel Ring



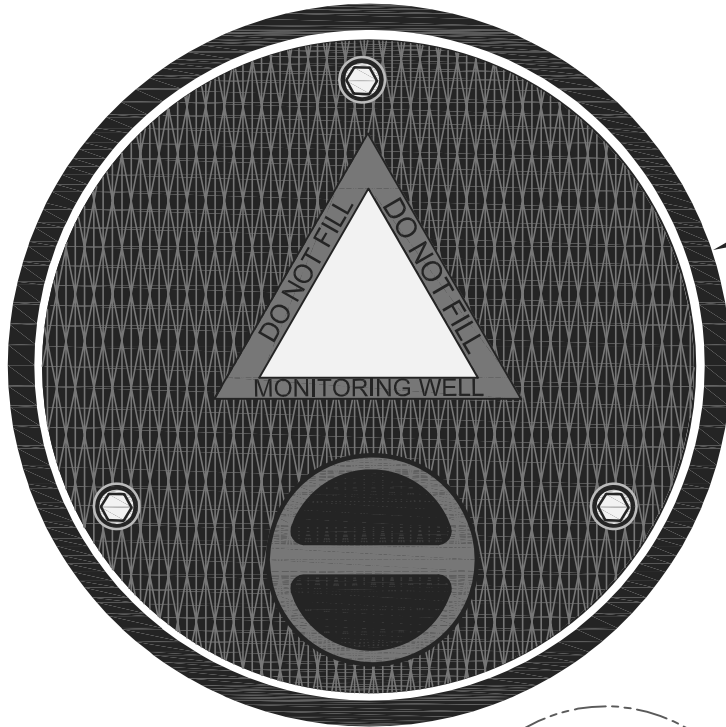
SAMPLE SPECIFICATION

18" x 12" Cast Iron Monitoring Curb Box
3 Bolt - Water Resistant
Steel Skirt
H-20 Load Rated
Weight 49.6 lbs

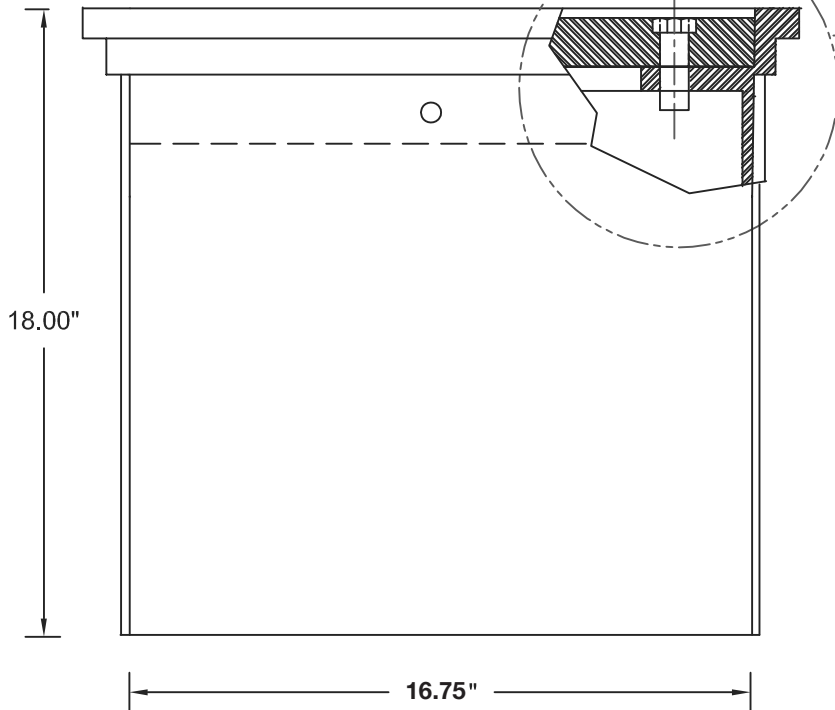
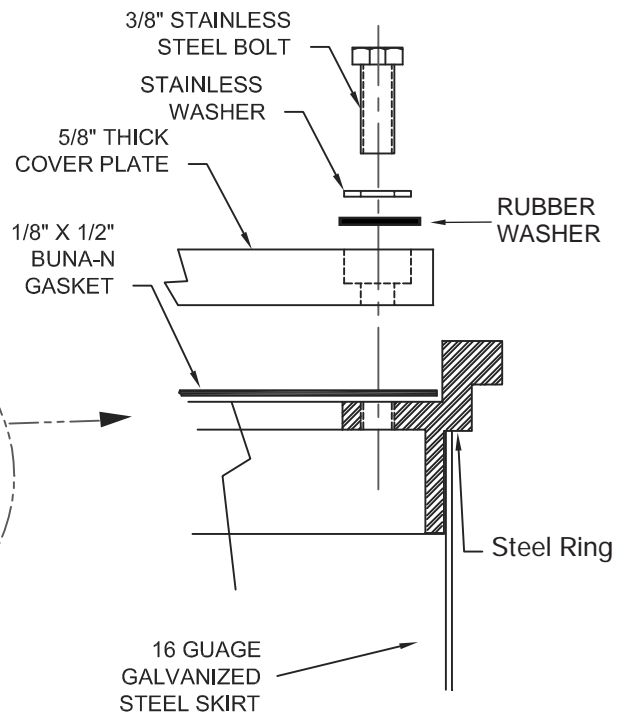


ECT MANUFACTURING
1-888-240-4328
www.ectmfg.com

18" Monitoring Well Manhole MM18x18M3



18 3/8" DIA.
Steel Ring



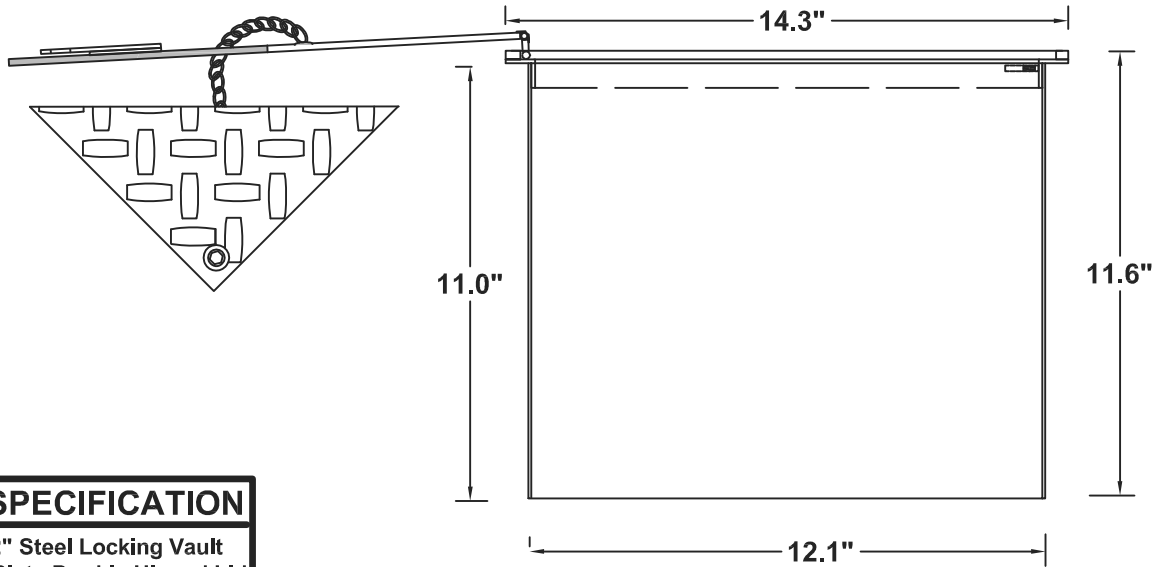
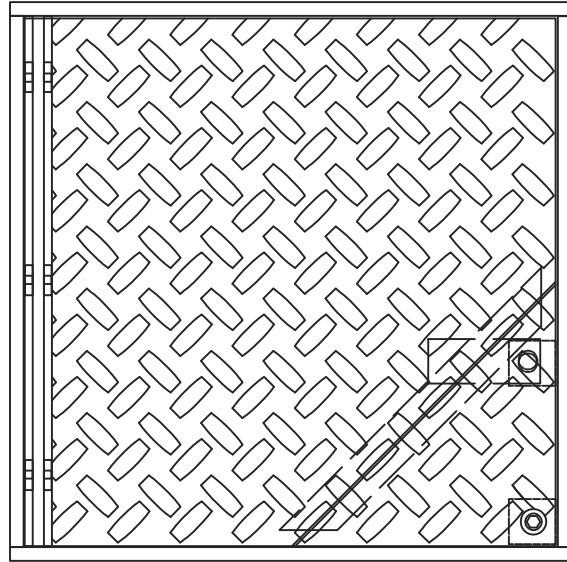
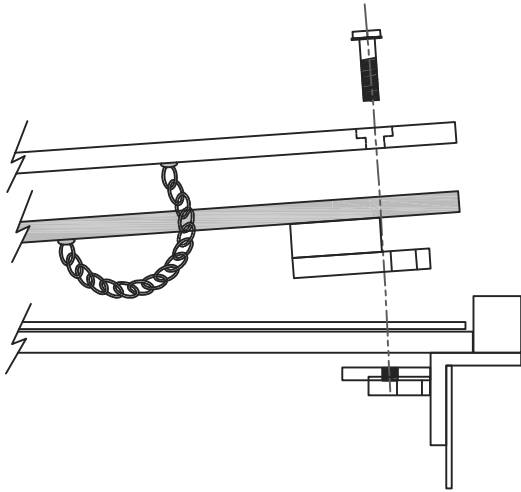
SAMPLE SPECIFICATION

18" x 12" Cast Iron Monitoring Curb Box
3 Bolt - Water Resistant
Steel Skirt
H-20 Load Rated
Weight 51.7 lbs



ECT MANUFACTURING
1-888-240-4328
www.ectmfg.com

12"x 12"x 12" Locking Vault A0717-712VW



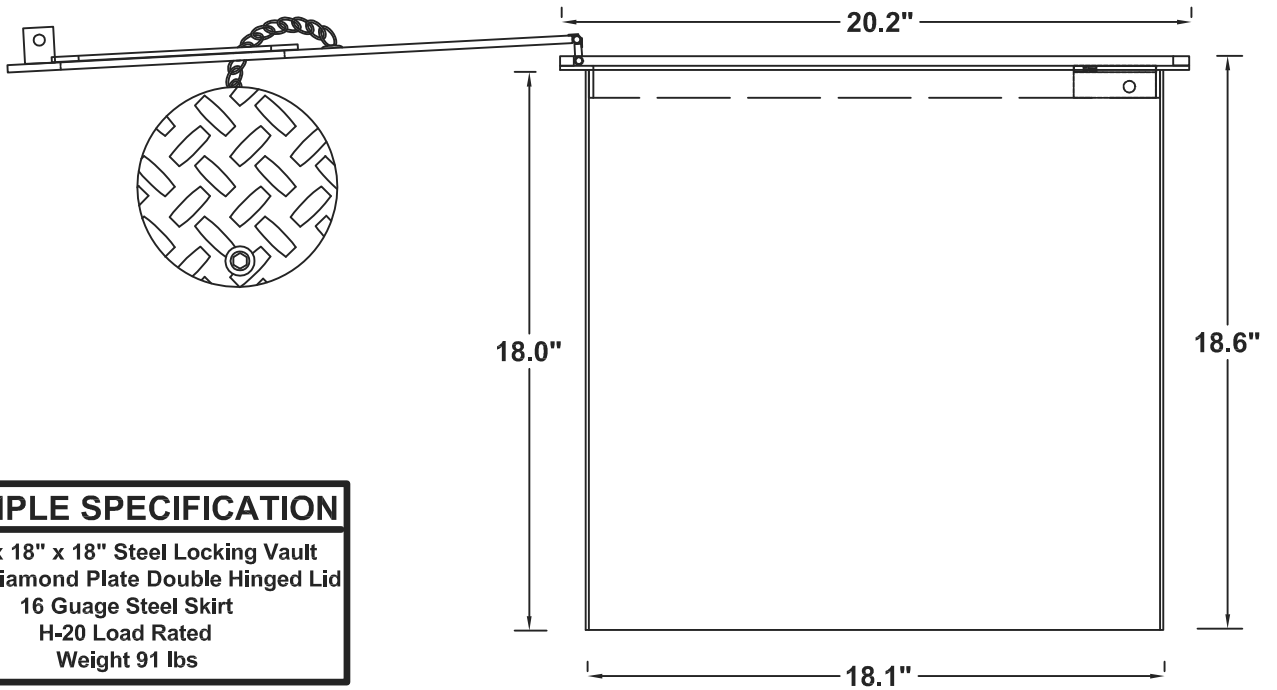
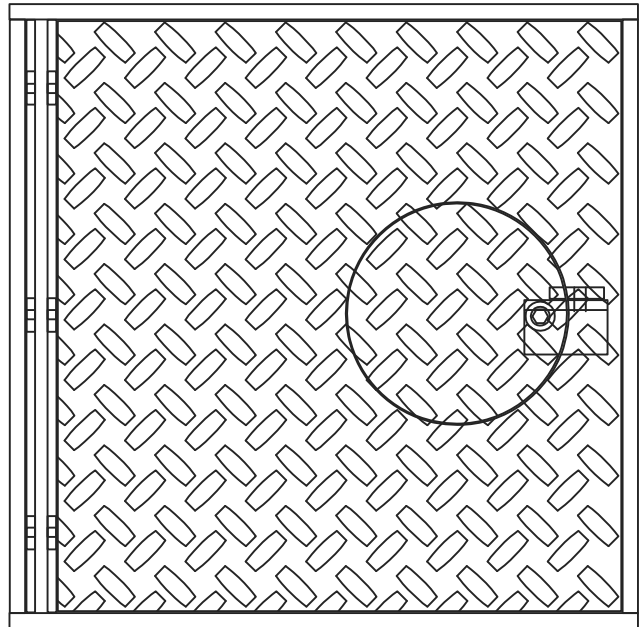
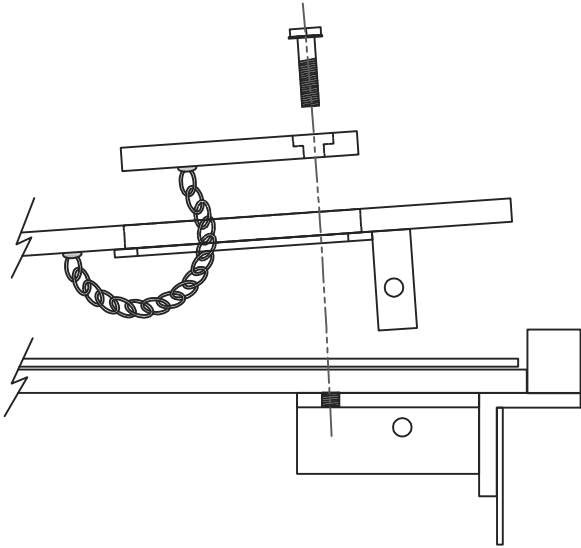
SAMPLE SPECIFICATION

12" x 12" x 12" Steel Locking Vault
.375" Diamond Plate Double Hinged Lid
16 Gauge Steel Skirt
H-20 Load Rated
Weight 38.1 lbs



ECT MANUFACTURING
1-888-240-4328
www.ectmfg.com

18"x 18"x 18" Locking Vault A0717-718VW

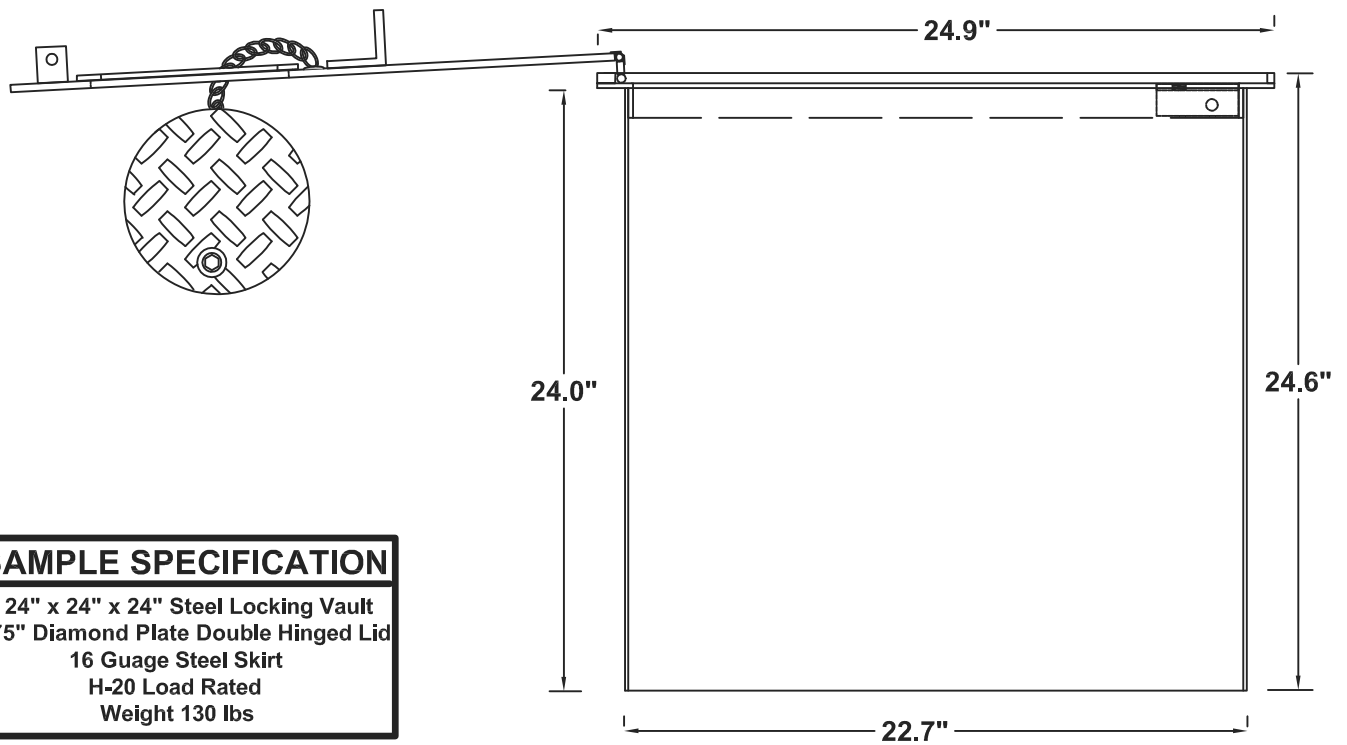
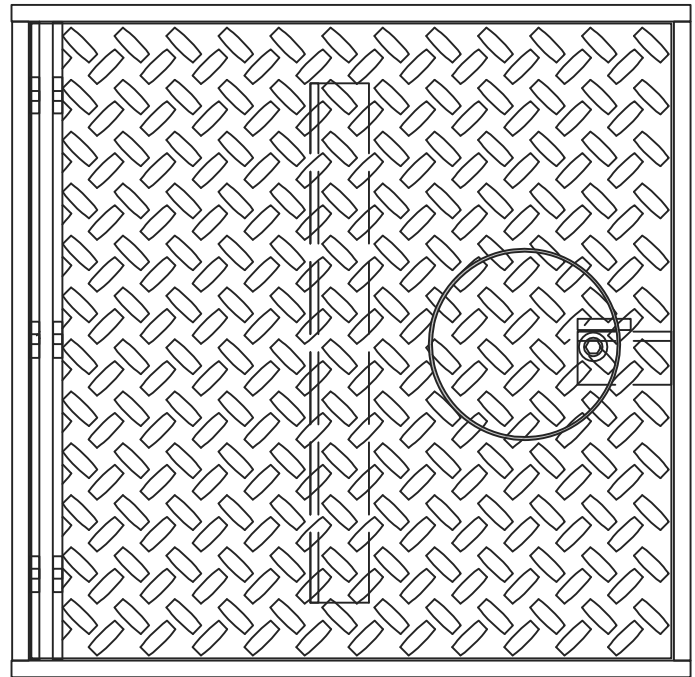
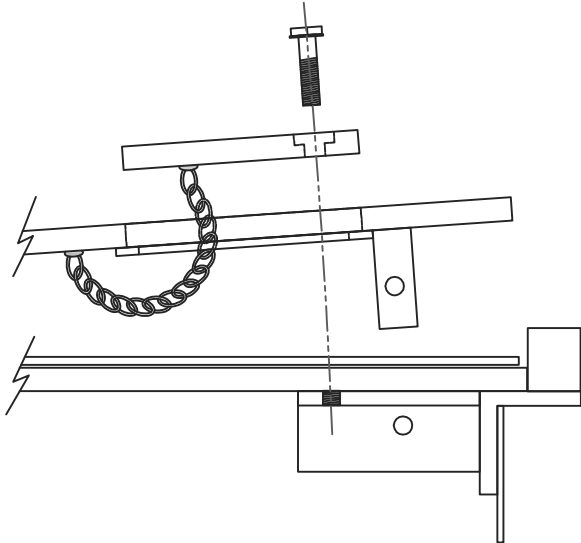


SAMPLE SPECIFICATION
18" x 18" x 18" Steel Locking Vault
.375" Diamond Plate Double Hinged Lid
16 Gauge Steel Skirt
H-20 Load Rated
Weight 91 lbs



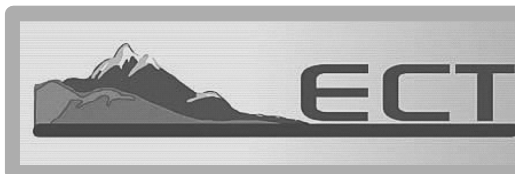
ECT MANUFACTURING
1-888-240-4328
www.ectmfg.com

24"x 24"x 24" Locking Vault A0717-724VW



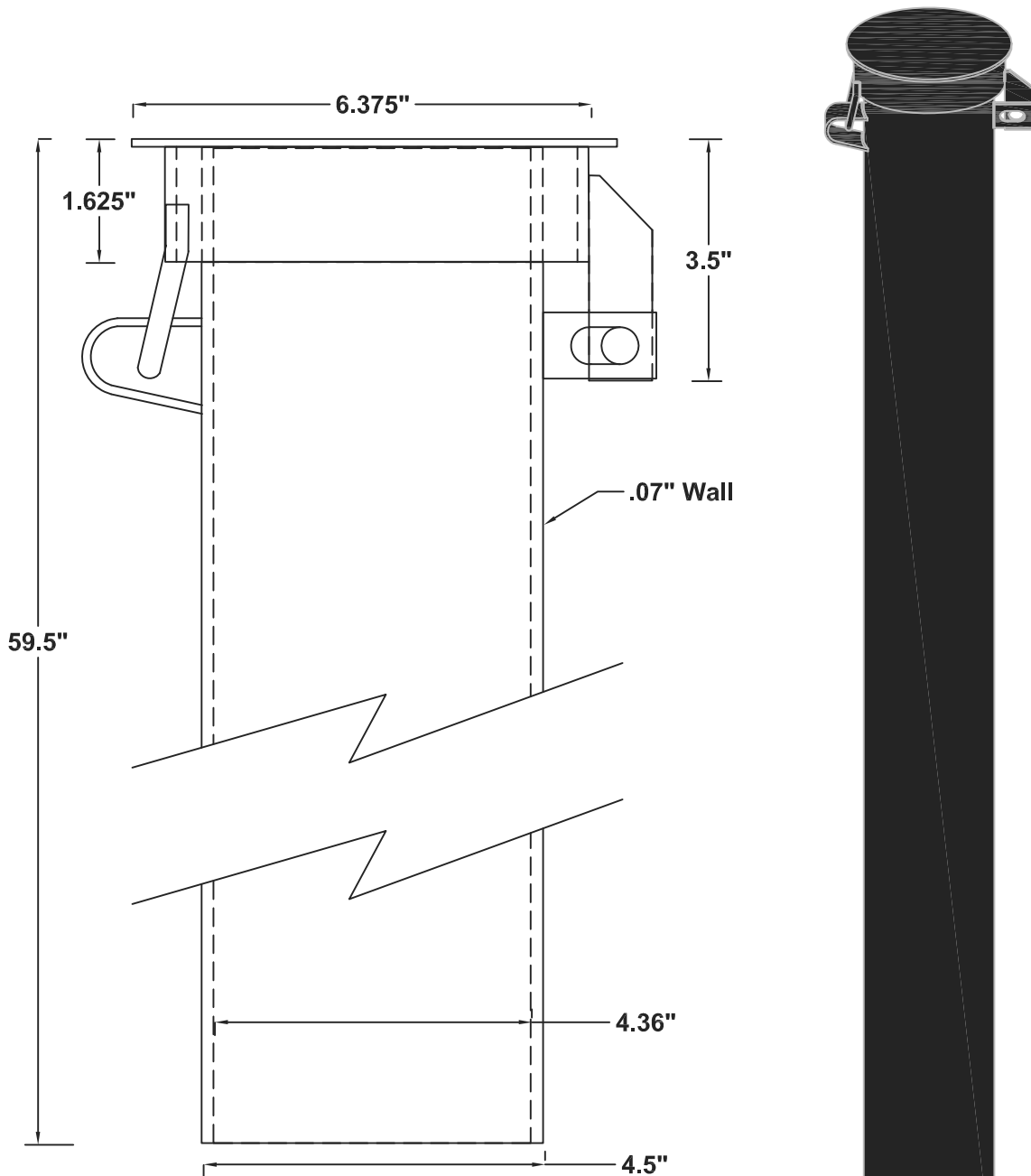
SAMPLE SPECIFICATION

24" x 24" x 24" Steel Locking Vault
.375" Diamond Plate Double Hinged Lid
16 Gauge Steel Skirt
H-20 Load Rated
Weight 130 lbs



ECT MANUFACTURING
1-888-240-4328
www.ectmfg.com

4"x 5' Steel Well Protector PCAS4



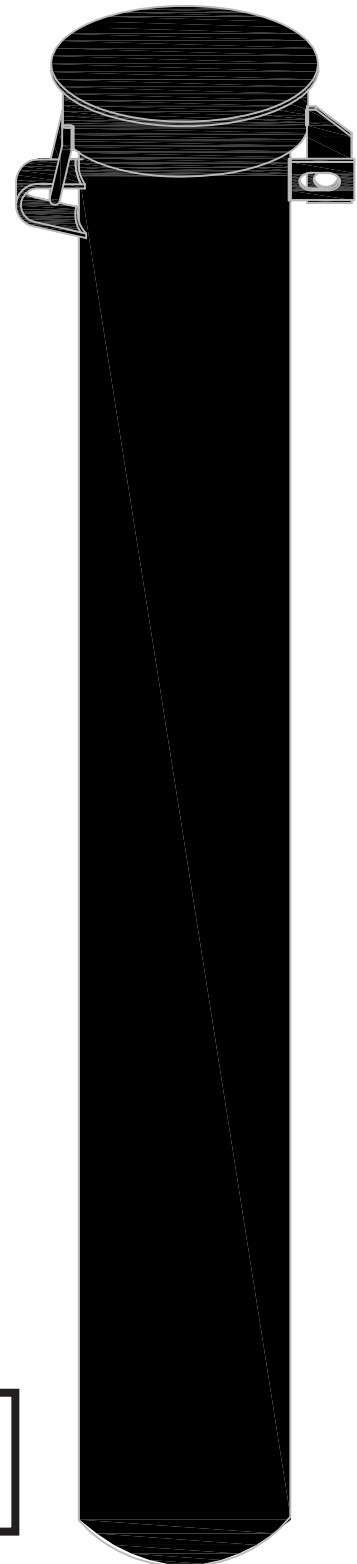
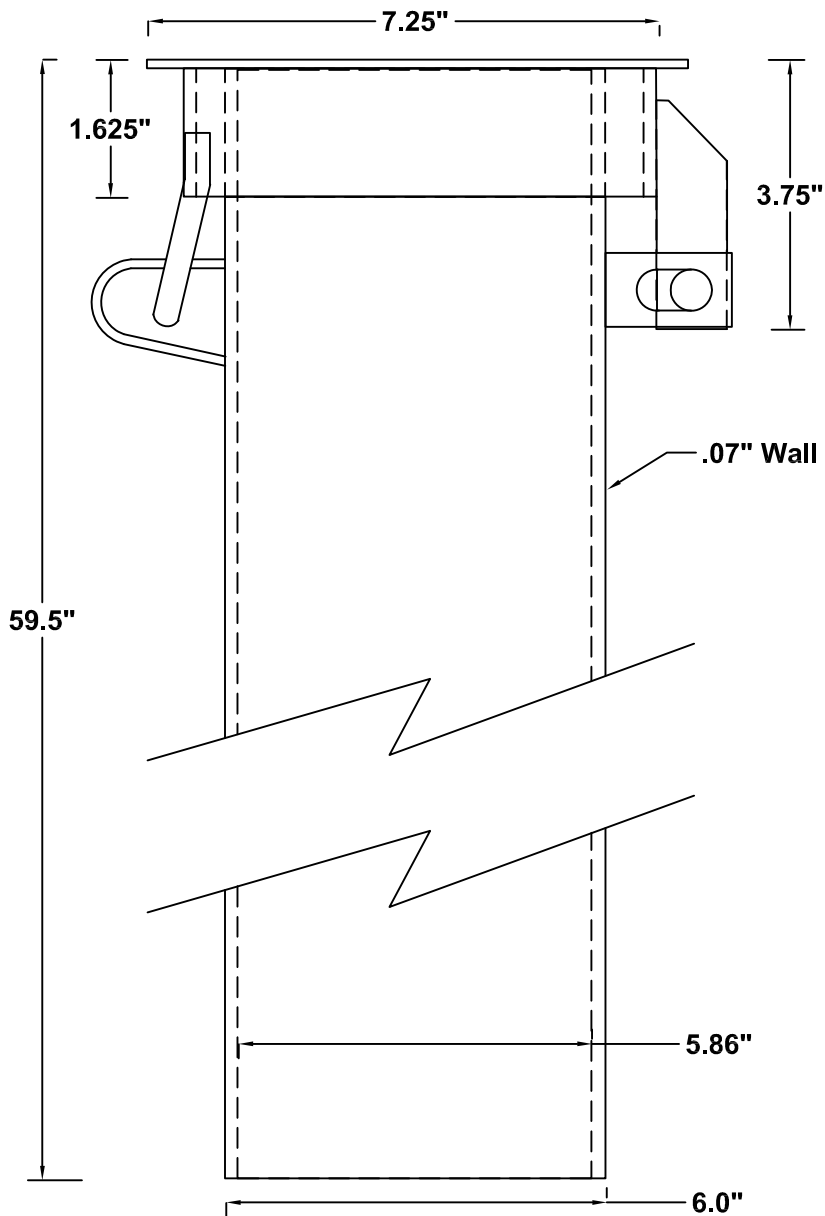
SAMPLE SPECIFICATION

4" x 5' All Steel Protective Casing
Hinged, Locking, Overlap Cap
Weight 17.28 lbs

UV Protectant Powder Coat
available in Black, Safety
Yellow and Safety Red



6"x 5' Steel Well Protector PCAS6

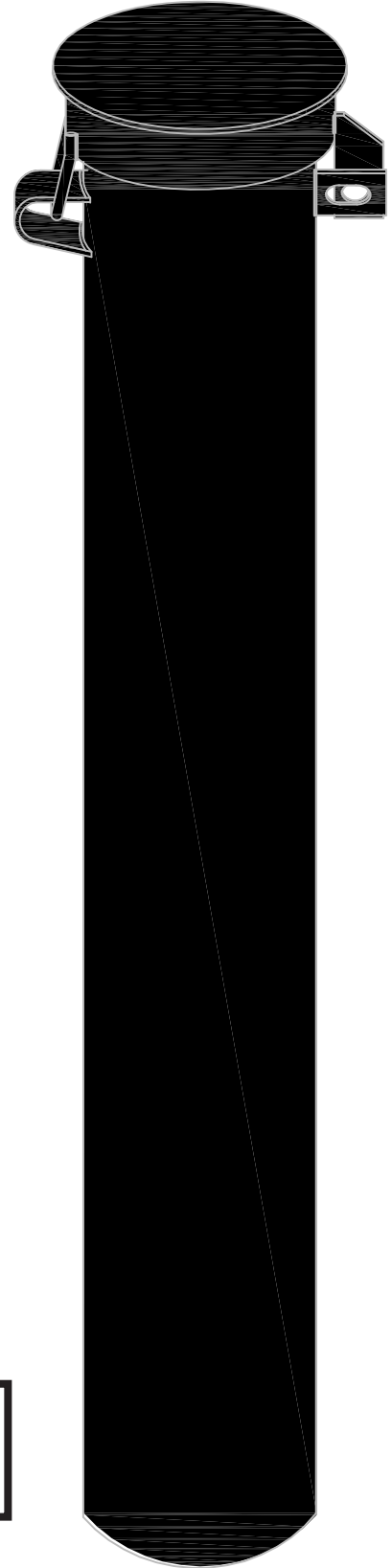
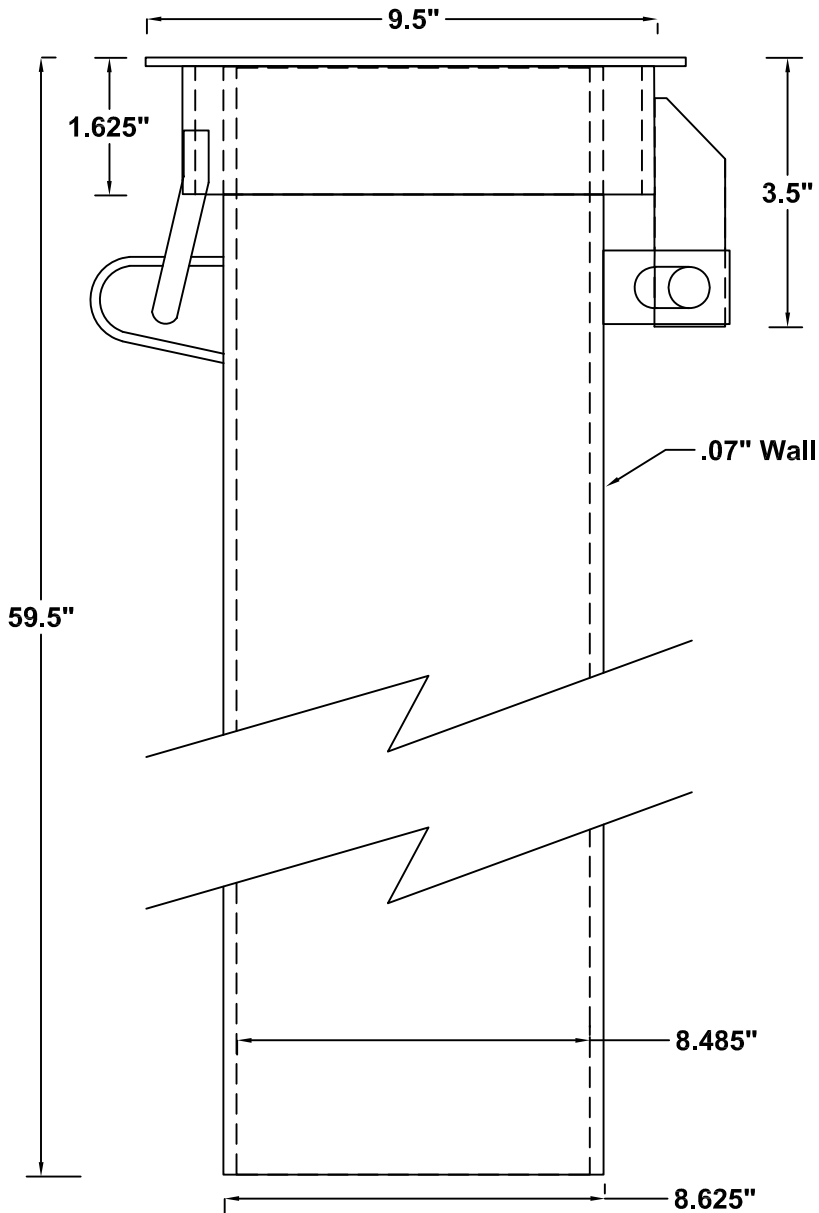


SAMPLE SPECIFICATION
6" x 5' All Steel Protective Casing
Hinged, Locking, Overlap Cap
Weight 39 lbs

**UV Protectant Powder Coat
available in Black or
Safety Yellow**

ECT ECT MANUFACTURING
1-888-240-4328
www.ectmfg.com

8"x 5' Steel Well Protector PCAS8



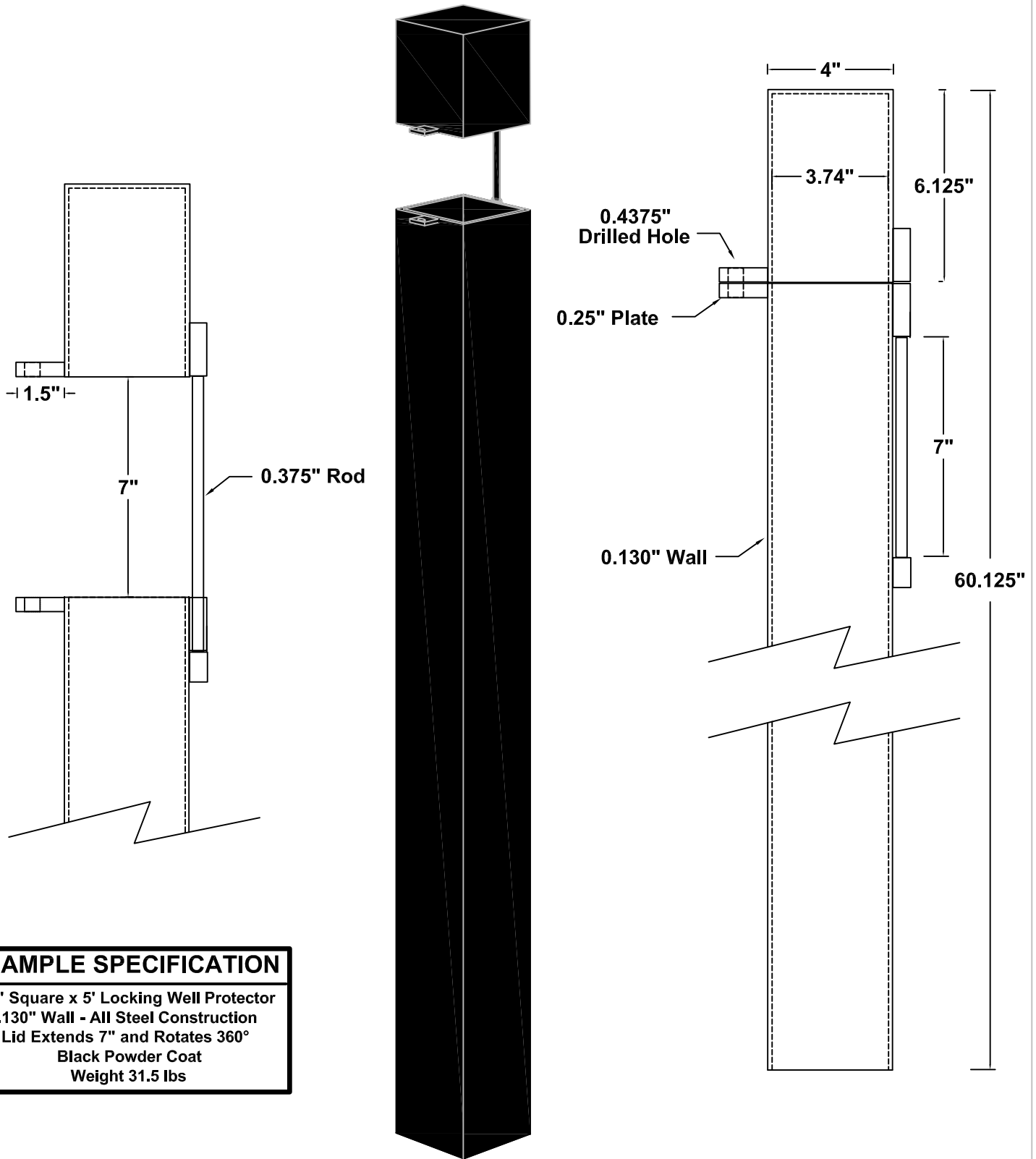
SAMPLE SPECIFICATION

8" x 5' All Steel Protective Casing
Hinged, Locking, Overlap Cap
Weight 68 lbs

UV Protectant Powder Coat
available in Black or
Safety Yellow



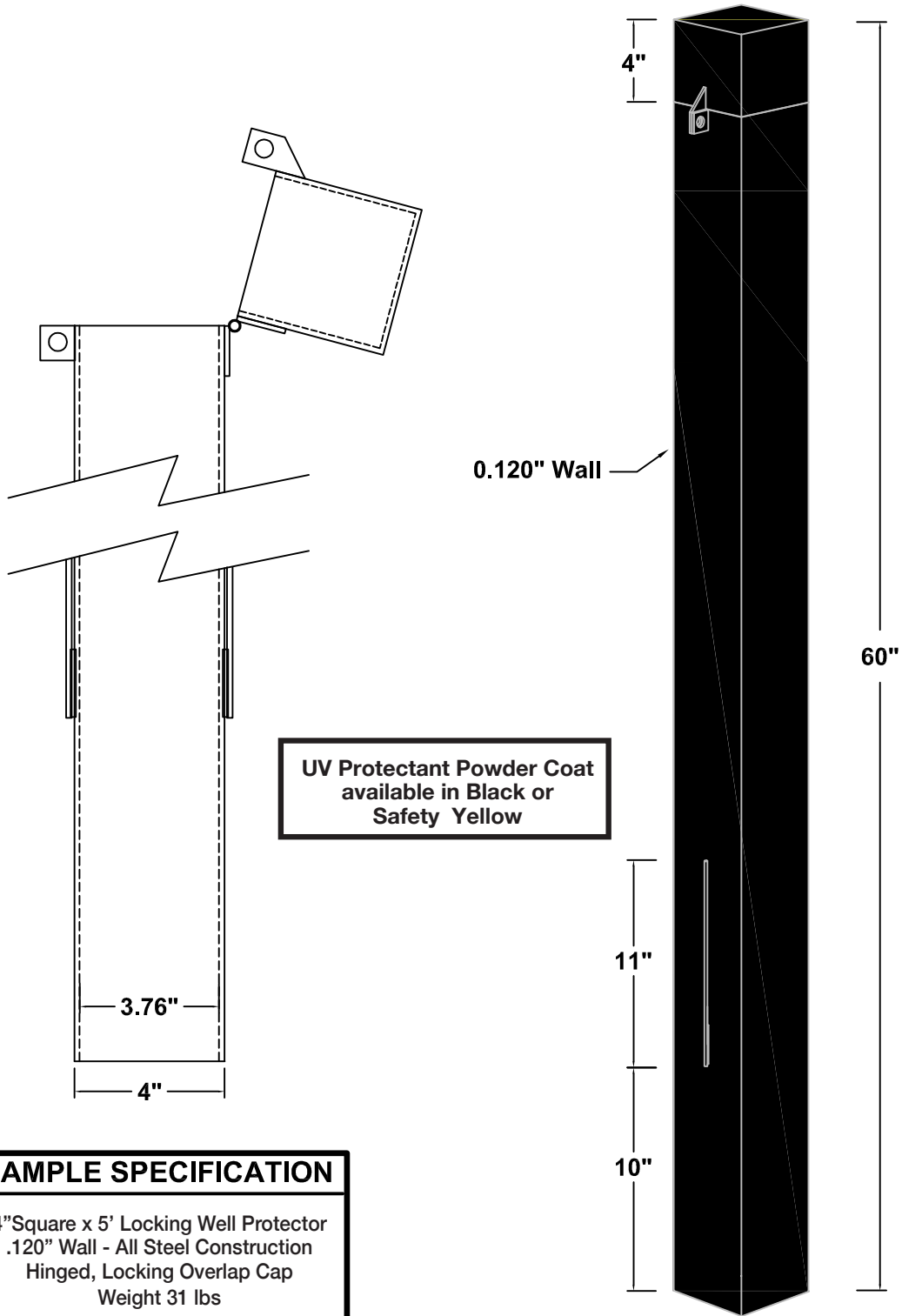
4"x 4"x 60" Square Locking Well Protector PCA4S



SAMPLE SPECIFICATION

4" Square x 5' Locking Well Protector
 .130" Wall - All Steel Construction
 Lid Extends 7" and Rotates 360°
 Black Powder Coat
 Weight 31.5 lbs

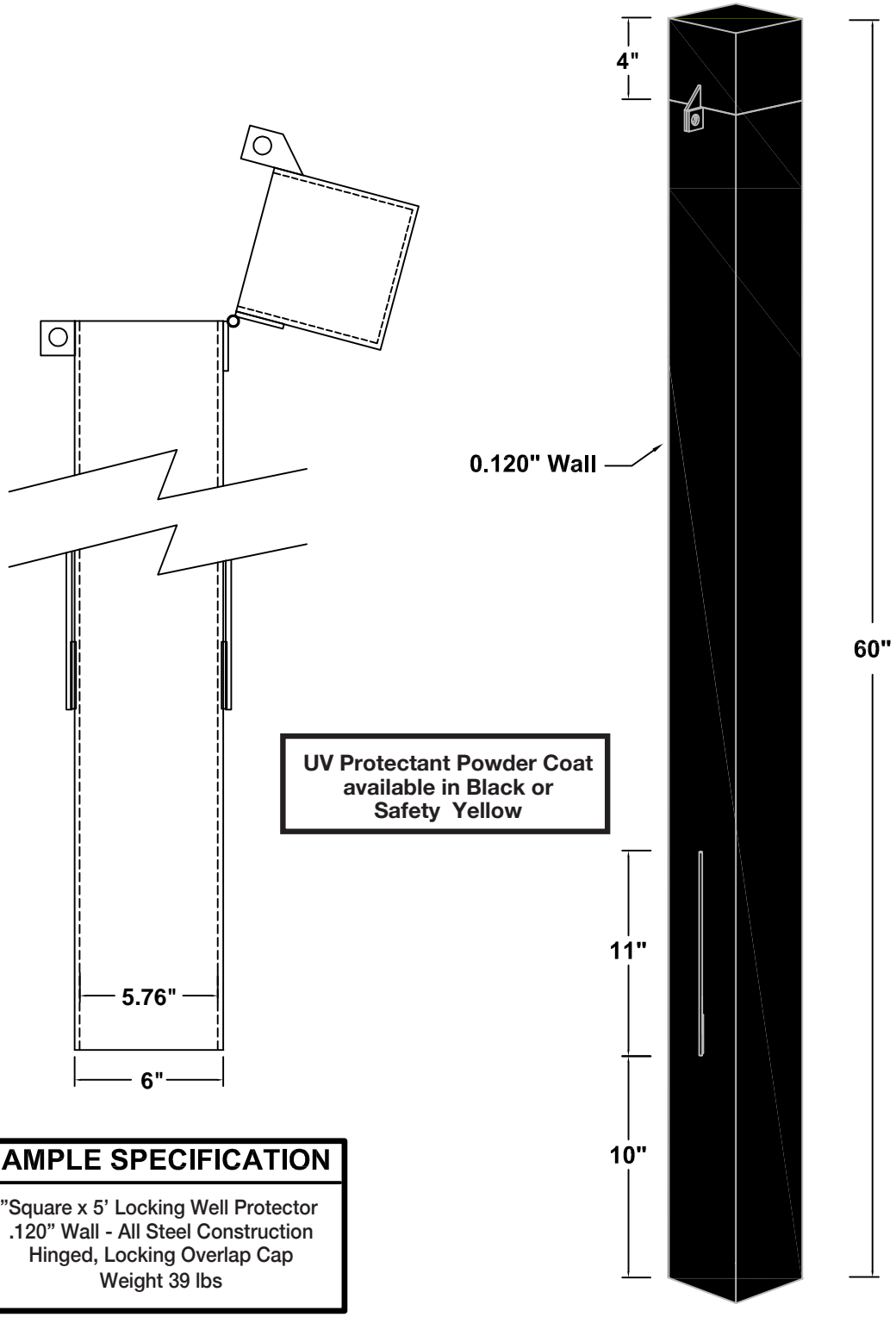
4" x 4" x 60" Square Locking Well Protector PCA4SQ




ECT MANUFACTURING
1-888-240-4328
www.ectmfg.com

6" x 6" x 60" Square Locking Well Protector

PCA6SQ



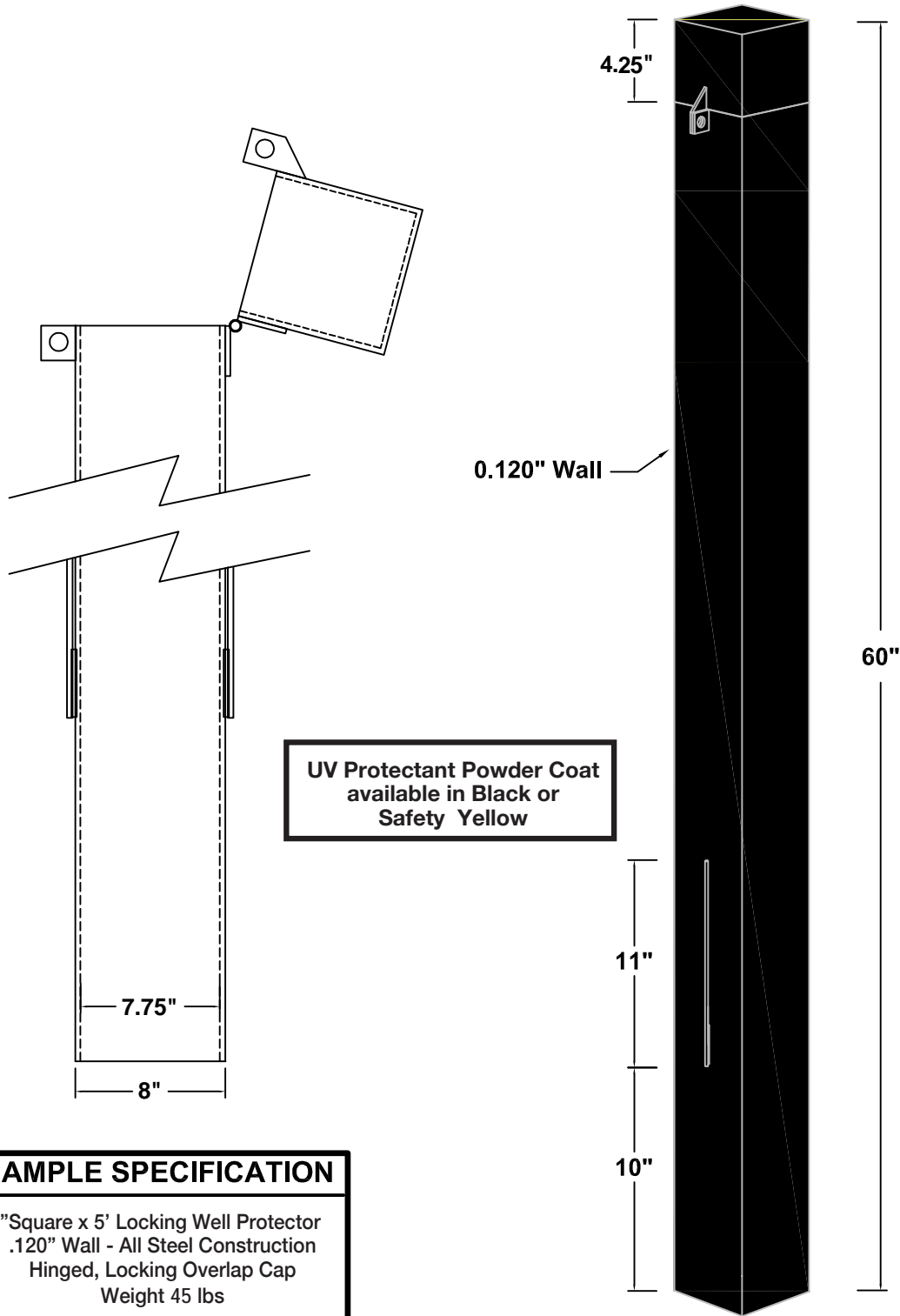
SAMPLE SPECIFICATION

6" Square x 5' Locking Well Protector
 .120" Wall - All Steel Construction
 Hinged, Locking Overlap Cap
 Weight 39 lbs



ECT MANUFACTURING
 1-888-240-4328
 www.ectmfg.com

8" x 8" x 60" Square Locking Well Protector PCA8SQ



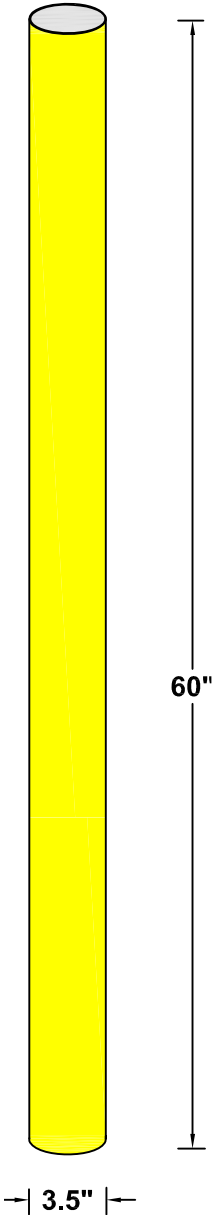
SAMPLE SPECIFICATION
8" Square x 5' Locking Well Protector
.120" Wall - All Steel Construction
Hinged, Locking Overlap Cap
Weight 45 lbs



ECT MANUFACTURING
1-888-240-4328
www.ectmfg.com

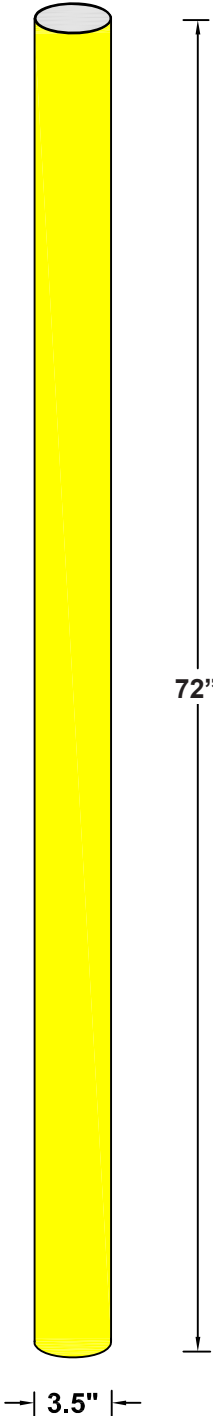
3.5" x 5' Steel Bollards

B3Y-60



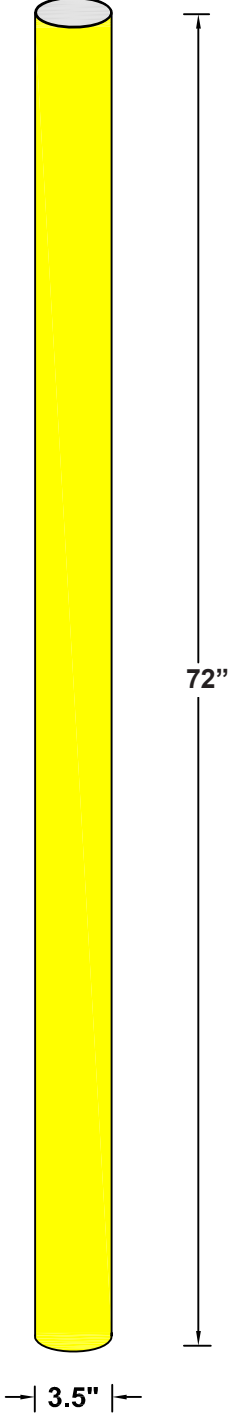
3.5" x 5'
Schedule 5 • .120" Wall • 14lbs
Safety Yellow Powder Coat

B3Y-72



3.5" x 6'
Schedule 5 • .120" Wall • 16lbs
Safety Yellow Powder Coat

B3Y-72-40



3.5" x 6'
Schedule 40 • .25" Wall • 32lbs
Safety Yellow Powder Coat

ECT MANUFACTURING
1-888-240-4328
www.ectmfg.com

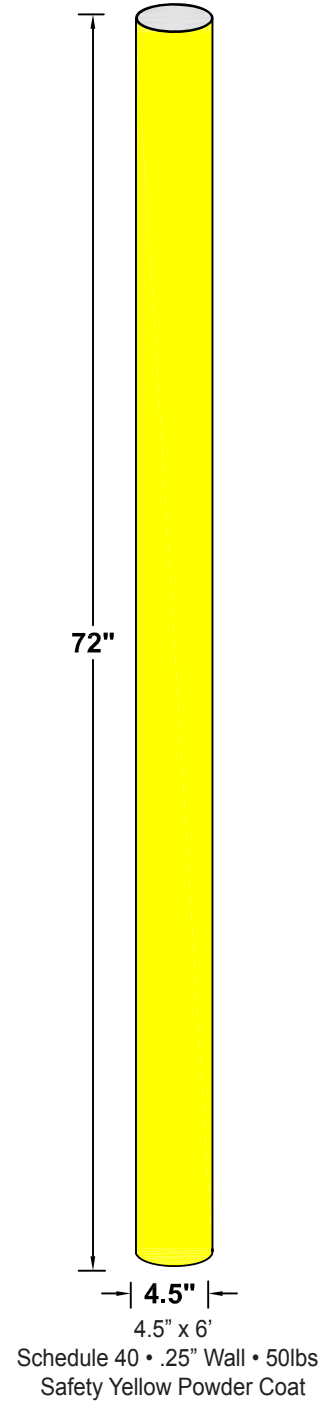
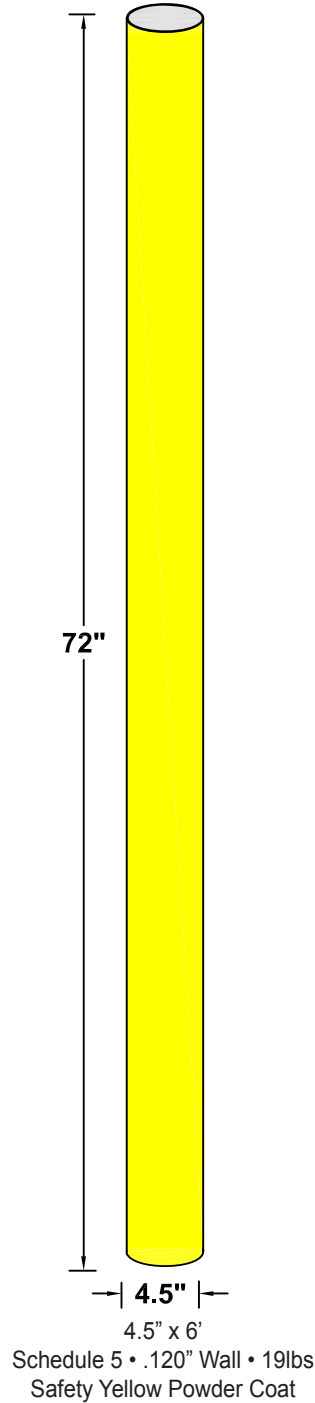
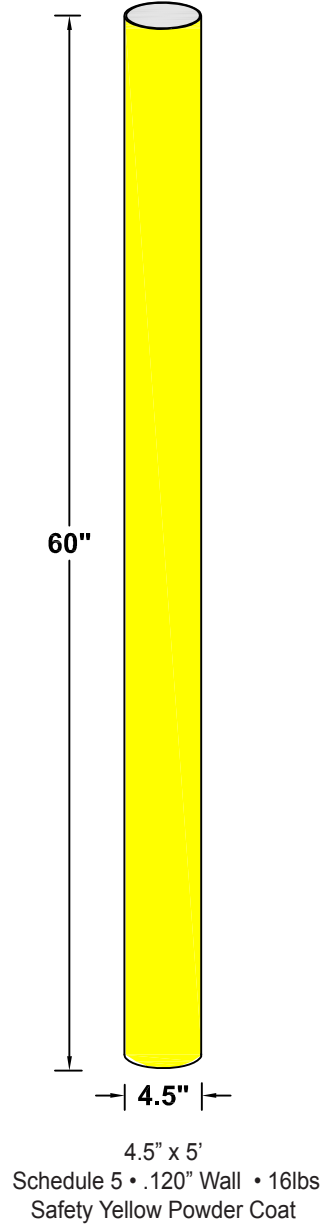
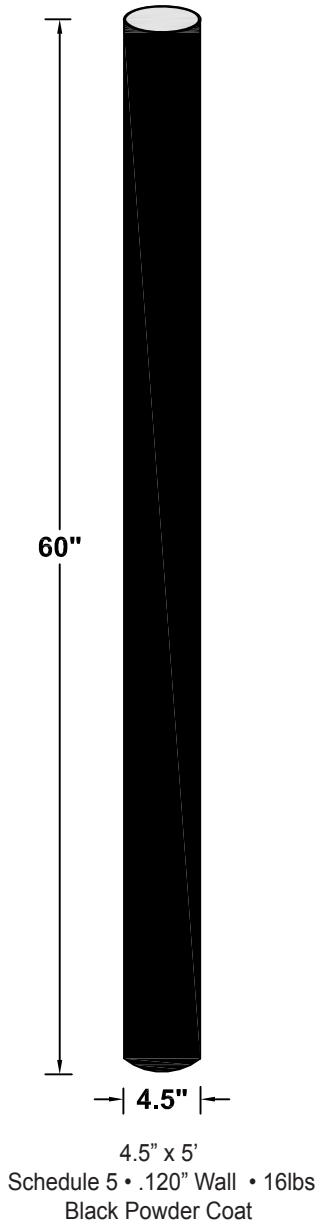
4.5" x 5' & 6' Steel Bollards

B4-60

B4Y-60

B4Y-72

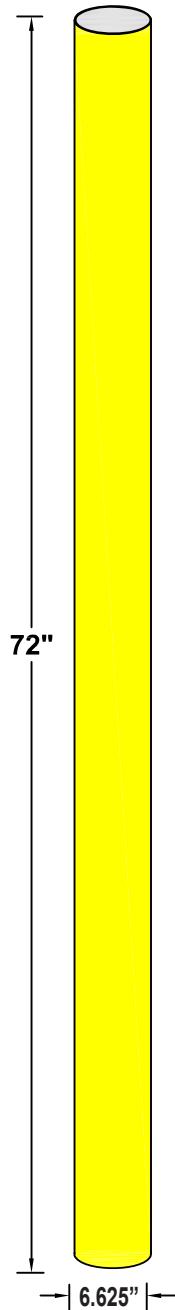
B4Y-72-40



ECT MANUFACTURING
1-888-240-4328
www.ectmfg.com

6.625 x 6' Steel Bollards

B6Y-72-40



6.625" x 6'
Schedule 40 • .25" Wall • 114lbs
Safety Yellow Powder Coat



ECT MANUFACTURING
1-888-240-4328
www.ectmfg.com